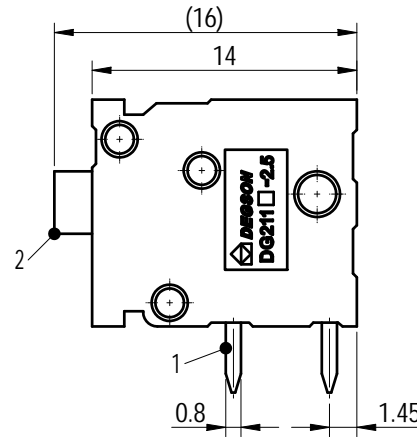
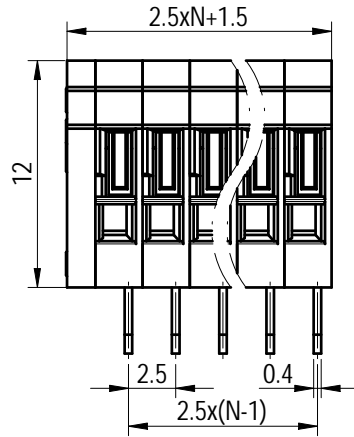
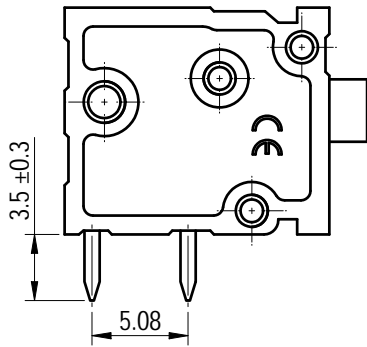
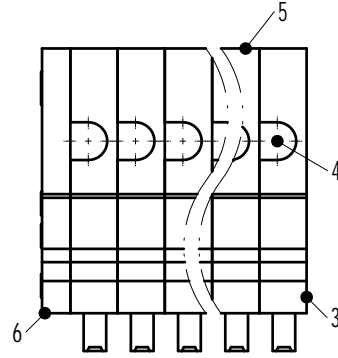
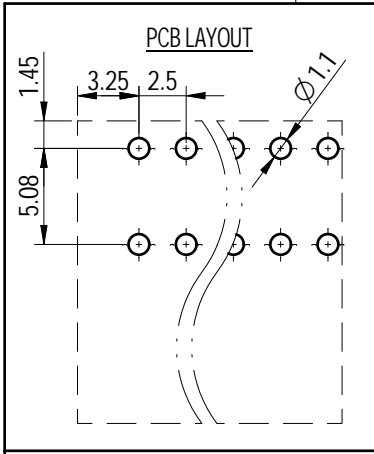
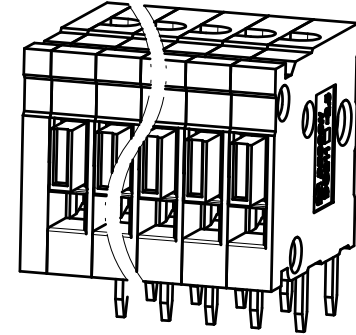


Transfer or duplication of this document as well as the utilization or communication of its contents are prohibited unless authorized in printed. Violations will be held for compensation. All rights reserved for patent, utility model or design registrations. 除专利、实用新型、外观设计注册外，其他内容均受法律保护。未经许可，不得复制或传播。本公司保留对涉及专利、实用新型及外观设计的所有权利。



未注公差/General tolerances (mm)													0.1/10
0	>3	>6	>10	>18	>30	>50	>80	>120	>180	>250	>315	>400	
~3	~6	~10	~18	~30	~50	~80	~120	~180	~250	~315	~400	~500	
±0.12	±0.18	±0.22	±0.26	±0.31	±0.37	±0.57	±0.80	±0.93	±1.05	±1.15	±1.60	±2.50	



Note: The A&Z(H) in the name means: A(H) and Z(H).

ITEM	NAME OF PART	MATERIAL	NOTES
6	Cover	PA66	UL94V-0
5	Housing	PA66	UL94V-0
4	Spring	Stainless steel	/
3	Side Housing	PA66	UL94V-0
2	Button	PA66	UL94V-0
1	Pin header	Copper alloy	Sn plated

UL 标准/UL Standard:		B	C	D
额定电压/电流/Rated Voltage(V)/Current(A)		150/3	/	/
IEC 标准/IEC Standard:				
过压类别/Overvoltage Category/污染等级/Pollution Degree		III/3	III/2	II/2
额定电压/电流/Rated Voltage(V)/Current(A)		160/3	160/3	320/3
额定脉冲电压(KV)/Rate Impulse Voltage(KV)		2.5	2.5	2.5
线径范围(硬线和软线)/Wire Range(rigid and flexible)(AWG/mm²)		28~20/0.2~0.5		
间距/Pitch(mm)/线数范围/Poles		2.5/N=02~24P		
剥线长度/Stripping length(mm)		9~10		
使用温度范围/Operating temperature(°C)		-40~+105		
符合RoHS环保要求/Conform to RoHS		Yes		



MATERIAL: -	SURFACE/COLOR:
MAT NO./REV: - / 00	MAT STATUS: 批量

APPD: 兰春华	2022.11.07	NAME
CHKD: 陈招	2022.11.04	

DRFT: 袁路易	2022.11.04	DRAWING NO.	TYPE	DRAWING STATUS	SCALE	SHEET
		200022200	CUSTOMER DRAWING	已发布	2.5:1	1/1

REV	ECN	DESCRIPTION	DRFT	DATE
00			袁路易	2022.11.04



DRAWING NO.	TYPE	DRAWING STATUS	SCALE	SHEET
200022200	CUSTOMER DRAWING	已发布	2.5:1	1/1