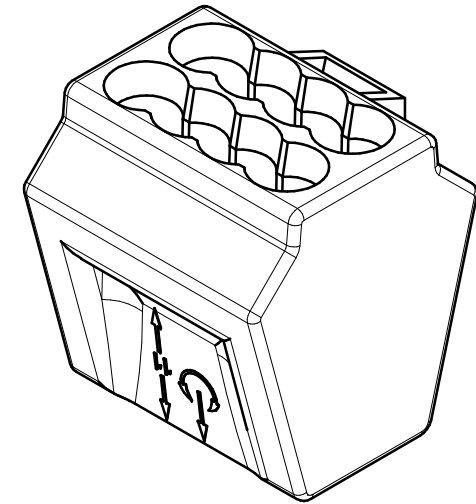
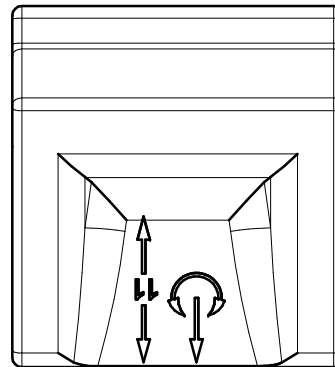
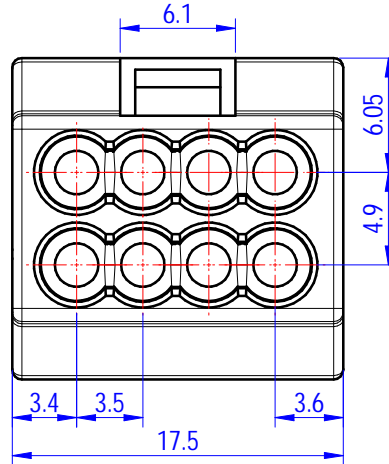
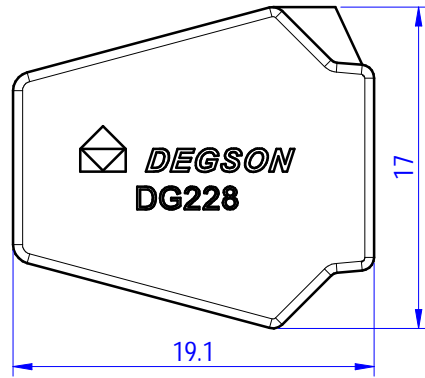


Transfer or duplication of this document as well as the utilization or communication of its contents are prohibited unless authorized in writing by Degson. All rights reserved for patent, utility model or design registrations. 除专利、实用新型、外观设计、软件著作权、集成电路布图设计专有权、商标权等知识产权外，其他权利均归德松公司所有。未经许可，不得复制或传播。

未注公差/General tolerances (mm)													0.1/10 ±2'
0	>3	>6	>10	>18	>30	>50	>80	>120	>180	>250	>315	>400	
~3	~6	~10	~18	~30	~50	~80	~120	~180	~250	~315	~400	~500	
±0.12	±0.18	±0.22	±0.26	±0.31	±0.37	±0.57	±0.80	±0.93	±1.05	±1.15	±1.60	±2.20	±2.50

UL 标准/UL Standard:	B	C	D
额定电压/电流/Rated Voltage(V)/Current(A)	600/15	/	/
VDE 标准/VDE Standard:			
过压类别/Overvoltage Category/污染等级/Pollution Degree	III/3	III/2	II/2
额定电压/电流/Rated Voltage(V)/Current(A)	/	450/24	/
工频耐压/Withstanding Voltage(V 1Min)	AC2500		
线径范围(硬线和软线)/Wire Range(rigid and flexible)(AWG mm ²)	22~ 14/ 0.5~ 2.5 Sd		
间距/Pitch(mm)/线数范围/Poles	3.5/N= 08P		
剥线长度/Stripping length(mm)	11~ 13		
使用温度范围/Operating temperature(°C)	-40~ + 85		
符合 RoHS 环保要求/Conform to RoHS	Yes		



ITEM	NAME OF PART	MATERIAL	NOTES
4	Housing	PC	UL94V-2
3	Cover	PC	UL94V-2
2	Spring	Stainless steel	Sn Plated
1	Clamp	Steel	Sn Plated

		MATERIAL:		SURFACE/COLOR:	
		MAT NO./REV: / 00		MAT STATUS: 批量	
APPD: 兰春华	2022.09.06	NAME			
CHKD: 陈招	2022.09.06	DG228-3.5-XXP-1Y-00A&Z(H)			
DRFT: 柳学龙	2022.09.06	DRAWING NO.	TYPE	DRAWING STATUS	SCALE
A4		200025254	CUSTOMER DRAWING	work	2:1
					SHEET 1/1

REV	ECN	DESCRIPTION	DRFT	DATE
01		修改剥线长度11-13mm	柳学龙	2022.09.06