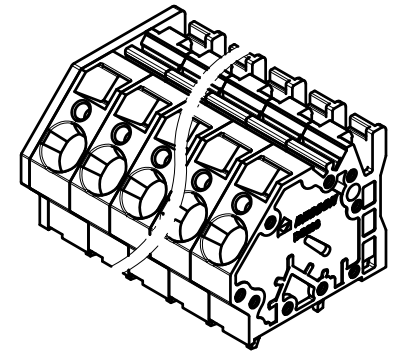
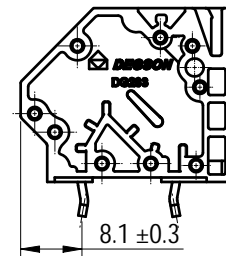
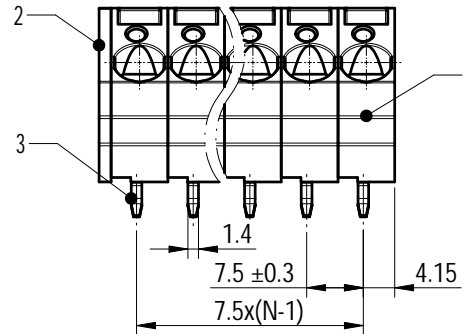
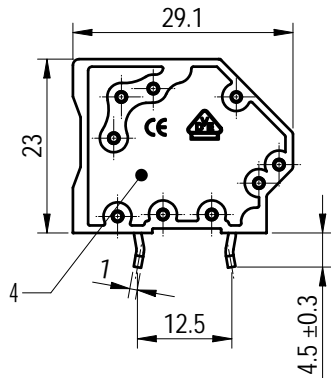
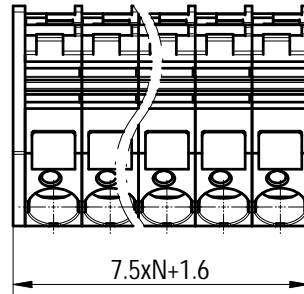
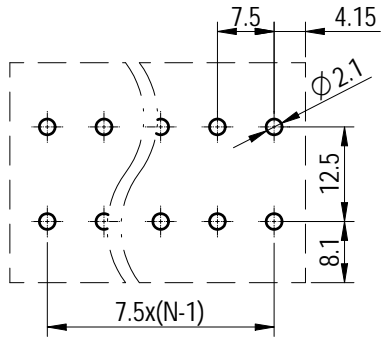


PCB LAYOUT



| 未注公差/General tolerances (mm) |       |       |       |       |       |       |       |       |       |       |       |       | 0.1/10 |
|------------------------------|-------|-------|-------|-------|-------|-------|-------|-------|-------|-------|-------|-------|--------|
| 0                            | >3    | >6    | >10   | >18   | >30   | >50   | >80   | >120  | >180  | >250  | >315  | >400  |        |
| ~3                           | ~6    | ~10   | ~18   | ~30   | ~50   | ~80   | ~120  | ~180  | ~250  | ~315  | ~400  | ~500  | >500   |
| ±0.12                        | ±0.18 | ±0.22 | ±0.26 | ±0.31 | ±0.37 | ±0.57 | ±0.80 | ±0.93 | ±1.05 | ±1.15 | ±1.60 | ±2.20 | ±2.50  |

| UL 标准/UL Standard:  | B            | C      | D       |
|---|--------------|--------|---------|
| 额定电压/电流/Rated Voltage(V)/Current(A)                               | 300/30       | /      | 300/10  |
| IEC 标准/IEC Standard:  |              |        |         |
| 过压类别/Overvoltage Category/污染等级/Pollution Degree                   | III/3        | III/2  | II/2    |
| 额定电压/电流/Rated Voltage(V)/Current(A)                               | 500/41       | 630/41 | 1000/41 |
| 额定脉冲电压(KV)/Rate Impulse Voltage(KV)                               | 6            | 6      | 6       |
| 线径范围(硬线和软线)/Wire Range (rigid and flexible)(AWG/mm <sup>2</sup> ) | 24~10/0.2~6  |        |         |
| 间距/Pitch(mm)/线数范围/Poles   | 7.5/N=01~16P |        |         |
| 剥线长度/Stripping length(mm)   | 11~12        |        |         |
| 使用温度范围/Operating temperature(°C)                                  | -40~+105     |        |         |

Note:  
The A&Z(H) in the name means :A(H) and Z(H).

| ITEM | NAME OF PART | MATERIAL        | NOTES     |
|------|--------------|-----------------|-----------|
| 4    | Spring       | Stainless steel | /         |
| 3    | Pin header   | Copper          | Sn Plated |
| 2    | Cover        | PA66            | UL94V-0   |
| 1    | Housing      | PA66            | UL94V-0   |

|           |            |                           |                       |                    |           |
|-----------|------------|---------------------------|-----------------------|--------------------|-----------|
|           |            | MATERIAL: /               | SURFACE/COLOR: /      |                    |           |
|           |            | MAT NO./REV: - / 00       | MAT STATUS: 批量        |                    |           |
| APPD: 兰春华 | 2022.08.25 | NAME                      |                       |                    |           |
| CHKD: 陈招  | 2022.08.25 | DG263-7.5-XXP-1Y-00A&Z(H) |                       |                    |           |
| DRFT: 柳学龙 | 2022.08.25 | DRAWING NO. 200025197     | TYPE CUSTOMER DRAWING | DRAWING STATUS 已发布 | SCALE 1:1 |
|           |            |                           |                       | SHEET 1/1          |           |

| REV | ECN | DESCRIPTION | DRFT | DATE       |
|-----|-----|-------------|------|------------|
| 00  |     |             | 柳学龙  | 2022.08.25 |

Transfer or duplication of this document as well as the utilization or communication of its contents are prohibited unless authorized in advance. All rights reserved for patent, utility model or design registrations. 除专利等权利明确授权外, 否则禁止非法复制、传播、引用、交流等文件内容的行为。 未经事先授权, 擅自复制或传播文件内容, 均属于侵权行为, 保留追究法律责任的权利。