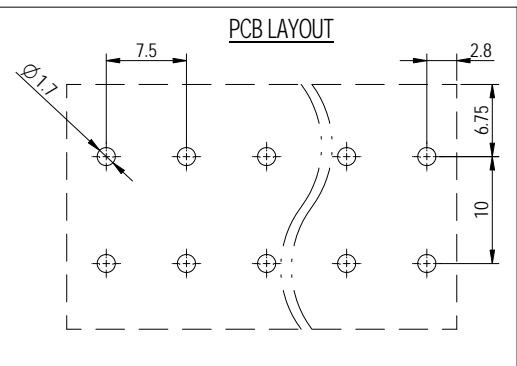
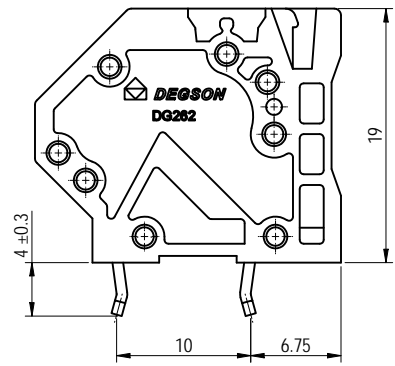
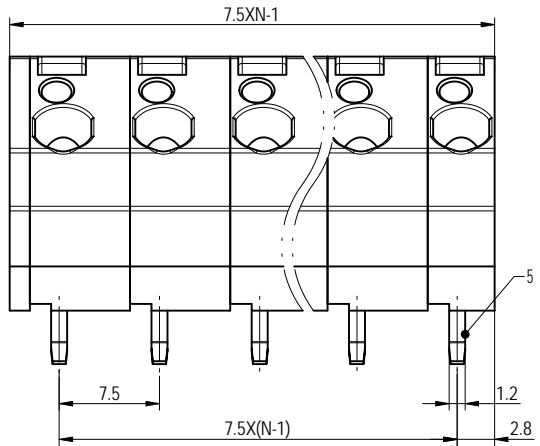
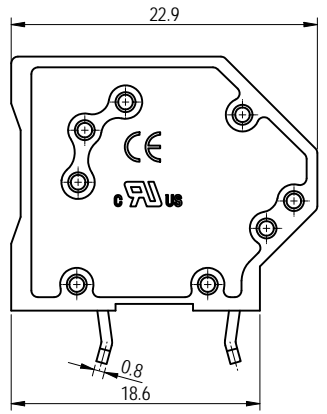
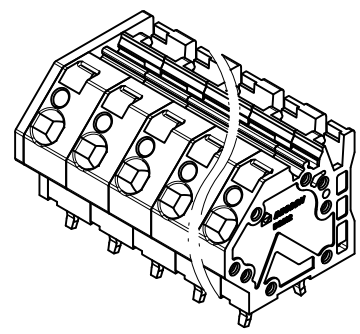


未注公差/General tolerances (mm)													0.1/10		
0	>3	>6	>10	>18	>30	>50	>80	>120	>180	>250	>315	>400		>500	
~	3	6	10	18	30	50	80	120	180	250	315	400	500		
±0.12	±0.18	±0.22	±0.26	±0.31	±0.37	±0.57	±0.80	±0.93	±1.05	±1.15	±1.60	±2.20	±2.50		
UL 标准/UL Standard:													B	C	D
额定电压/电压/Rated Voltage(V)/Current(A)													300/20	/	300/10
IEC 标准/IEC Standard:															
过压类别/Overtoltage Category/污染等级/Pollution Degree													III/3	III/2	II/2
额定电压/电压/Rated Voltage(V)/Current(A)													400/32	630/32	1000/32
额定脉冲电压/电压/Rate Impulse Voltage(KV)													6.0	6.0	6.0
线径范围(硬线和软线)/Wire Range (rigid and flexible)(AWG/mm²)													28~12 / 0.2~4.0		
间距/Pitch(mm)/线数范围/Poles													7.5/N=01~16P		
剥线长度/Stripping length(mm)													8~9		
使用温度范围/Operating temperature(°C)													-40~+105		
符合RoHS环保要求/Conform to RoHS													Yes		



Note:
The A&Z (H) in the name means :A (H) and Z (H).

5	Pin Header	Copper	Sn Plated
4	Spring	Stainless steel	/
3	Housing 2	PA66	UL94V-0
2	Housing 1	PA66	UL94V-0
1	Cover	PA66	UL94V-0
ITEM	NAME OF PART	MATERIAL	NOTES

DEGSON		MATERIAL: /	SURFACE/COLOR: /	
APPD: 竺泰华	2022.10.21	NAME	MAT STATUS: 批量	
CHKD: 陈超	2022.10.20	DG262-7.5-XXP-1Y-00A&Z (H)		
DRFT: 李凯	2022.10.20	DRAWING NO.	TYPE	DRAWING STATUS
REV: A3	2022.10.20	200027392	CUSTOMER DRAWING	已发布
00	ECN	DESCRIPTION	DRFT	DATE
REV	ECN	DESCRIPTION	DRFT	DATE

Transfer or duplication of this document as well as the utilization of its contents without the written permission of DEGSON is prohibited. All rights reserved for patent. 未经授权复制或传播本文件以及未经许可使用其内容均被禁止。所有权利保留。如有侵权，请联系本公司法务部。 017