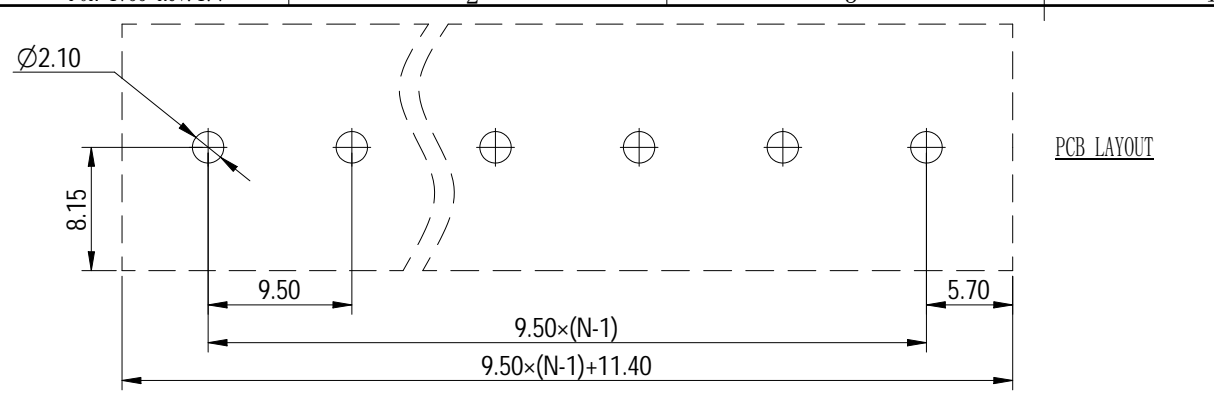


Transfer or duplication of this document as well as the utilization or communication of its content are prohibited unless authorized in writing by the copyright holder. All rights reserved for patent, utility model or design registrations. 除专利、实用新型、外观设计、集成电路布图设计、软件著作权等知识产权外，其他权利均归作者所有。未经许可，不得复制或传播。

FOR-1755 Rev. 1.7

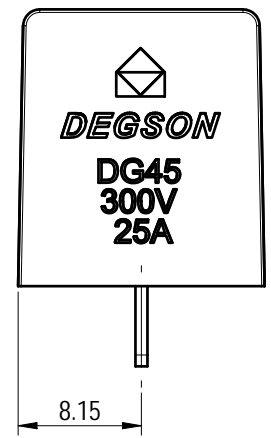
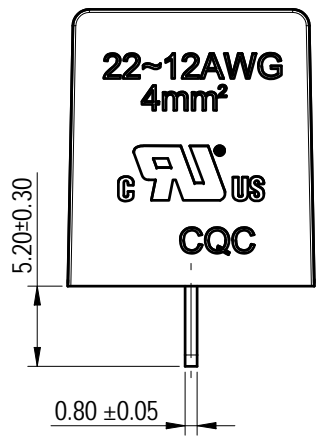
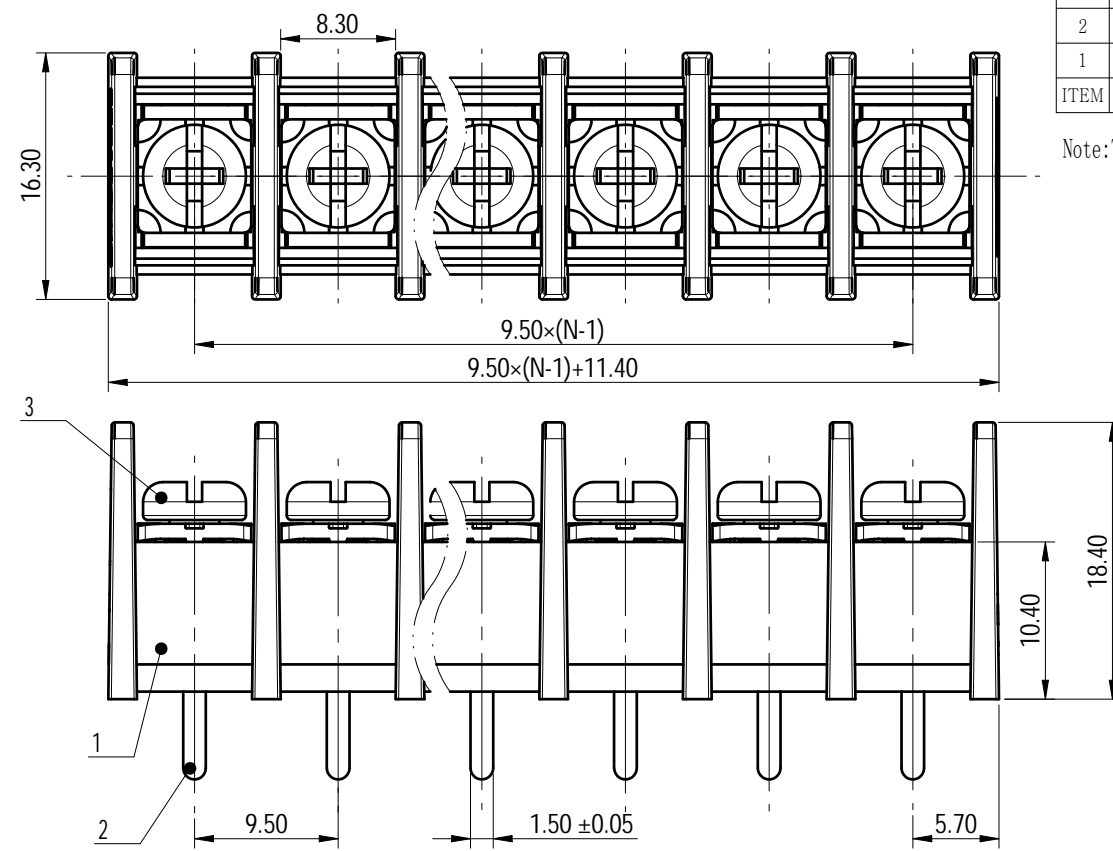


未注公差/General tolerances (mm)													
0	>3	>6	>10	>18	>30	>50	>80	>120	>180	>250	>315	>400	0.1/10 ±2'
~3	~6	~10	~18	~30	~50	~80	~120	~180	~250	~315	~400	>500	
±0.12	±0.18	±0.22	±0.26	±0.31	±0.37	±0.57	±0.80	±0.93	±1.05	±1.15	±1.60	±2.20	±2.50

UL 标准/UL Standard:		B	C	D
额定电压/电流/Rated Voltage(V)/Current(A)		300/25	/	/
IEC 标准/IEC Standard:				
过压类别/Overvoltage Category/污染等级/Pollution Degree		III/3	III/2	II/2
额定电压/电流/Rated Voltage(V)/Current(A)		450/32	/	/
额定脉冲电压(KV)/Rate Impulse Voltage(KV)		4	/	/
螺丝扭矩/Torque Tightening(N·m/Lb.in)		M4, 1.2/12.24		
线径范围(硬线和软线)/Wire Range(rigid and flexible)(AWG/mm²)		22~12/0.5~4.0		
间距/Pitch(mm)/线数范围/Poles		9.50/N=02~24P		
使用温度范围/Operating temperature(°C)		-40~+105		
符合RoHS环保要求/Conform to RoHS		Yes		

ITEM	NAME OF PART	MATERIAL	NOTES
3	Screw	Steel	Ni Plated
2	Pin header	Copper alloy	Sn Plated
1	Housing	PA66	UL94V-0

Note: The A&Z(H) in the name means: A(H) and Z(H).



DEGSON		MATERIAL:	SURFACE/COLOR:	
APPD: 蓝贵凡	2023.05.23	MAT NO./REV: - / 00	MAT STATUS: 批量	
CHKD: 曹利彬	2023.05.23	NAME		
DRFT: 姜民洁	2023.05.23	DG45C-B-XXP-1Y-00A&Z(H)		
REV	ECN	DRAWING NO.	TYPE	DRAWING STATUS
01		200120284	CUSTOMER DRAWING	已发布
DESCRIPTION		SCALE	SHEET	
修改线数范围		2:1	1/1	
DRFT	DATE			
姜民洁	2023.05.23			

REV	ECN	DESCRIPTION	DRFT	DATE
01		修改线数范围	姜民洁	2023.05.23

1 2 3 4 5 6