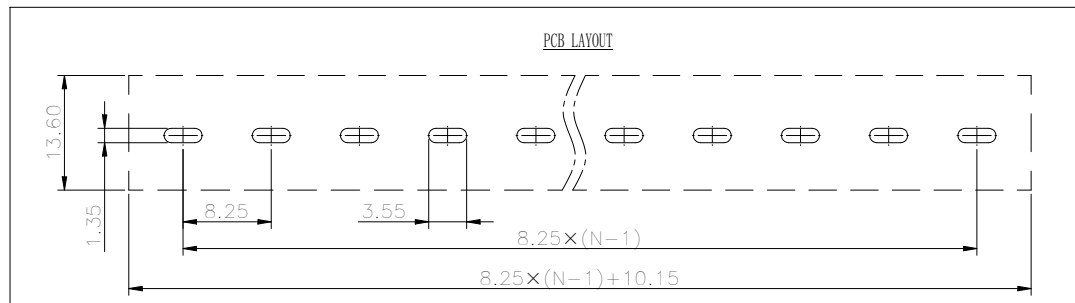
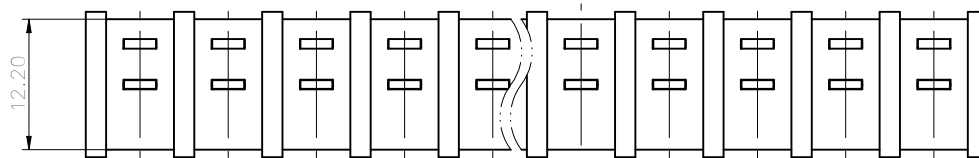
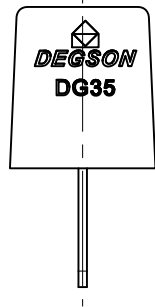
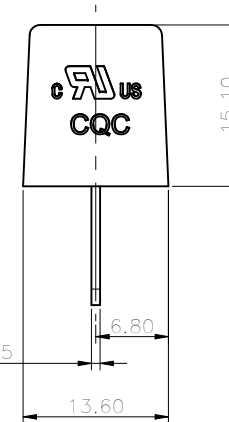
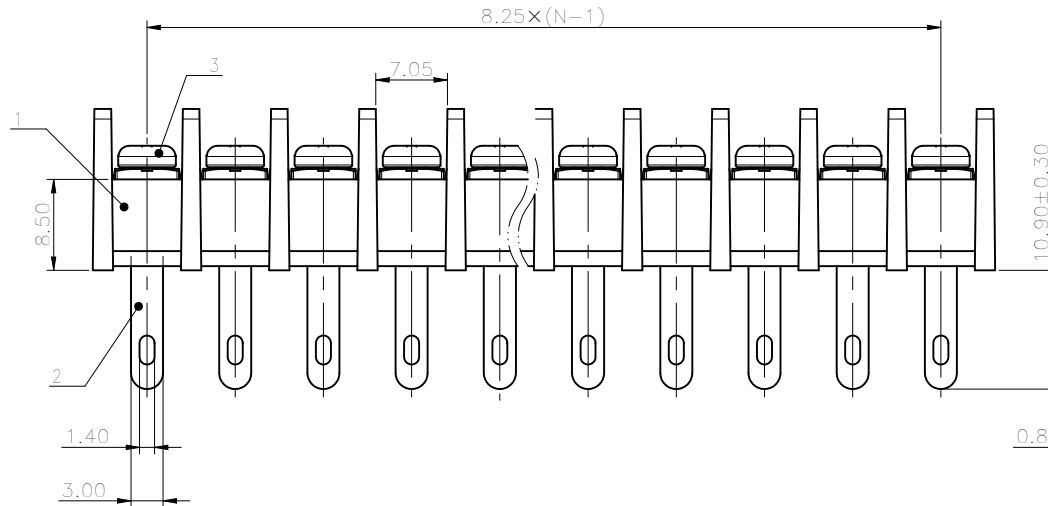
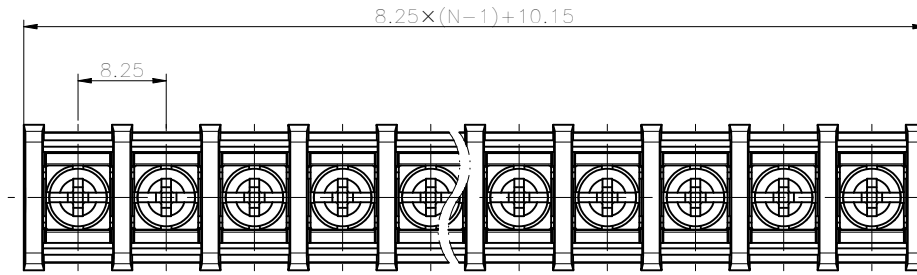


未注公差/General tolerances (mm)											D 0.1/10			
0	>3	>6	>10	>18	>30	>50	>80	>120	>180	>250		>315	>400	>500
~ 3	~ 6	~ 10	~ 18	~ 30	~ 50	~ 80	~ 120	~ 180	~ 250	~ 315	~ 400	~ 500	~ >500	
±0.12	±0.18	±0.22	±0.26	±0.31	±0.37	±0.47	±0.57	±0.80	±0.93	±1.05	±1.15	±1.60	±2.20	±2.50



Note: The A&Z (H) in the name means: A(H) and Z (H).

ITEM	NAME OF PART	MATERIAL	NOTES	
3	Screw	Steel	Ni Plated	
2	Pin header	Copper alloy	Sn Plated	
1	Housing	PA66	UL94V-0	
UL 标准/UL Standard:		B	C	D
额定电压/电流/Rated Voltage(V)/Current(A)		300/20	/	300/10
IEC 标准/IEC Standard:				
额定电压/电流/Rated Voltage(V)/Current(A)		450/32		
螺丝扭矩/Torque Tightening(N·m/Lb.in)		M3: 0.5/4.43		
线径范围(硬线和软线)/Wire Range(rigid and flexible)(AWG/mm <sup>2</sup> )		22-12 / 0.5-4		
间距/Pitch(mm)/线数范围/Poles		8.25/N=02-24P		
使用温度范围/Operating temperature(°C)		-40--+105		
符合RoHS环保要求/Conform to RoHS		Yes		

<b>DEGSON</b>		MATERIAL:		SURFACE/COLOR:	
APPD: 蓝美凡	2024.04.01	MAT NO./REV: -	/ 00	MAT STATUS: 批量	
CHKD: 曹利影	2024.04.01	NAME: DG35H-B-XXP-1Y-00A&Z(H)			
DRFT: 蓝美洁	2024.04.01	DRAWING NO.:	TYPE:	DRAWING STATUS:	SCALE:
A3		200066256	CUSTOMER DRAWING	已发布	2:1
REV	ECN	DESCRIPTION	DRFT	DATE	SHEET
00			蓝美洁	2024.04.01	1/1

Transfer or duplication of this document as well as the utilization of its contents without the written consent of DEGSON is prohibited. All rights reserved for patent. 复制或再行发布此文件以及其内容之利用，未经DEGSON书面同意，均属侵权行为。DEGSON保留所有权利。未经许可，不得复制或再行发布此文件。