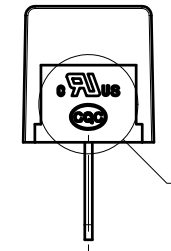
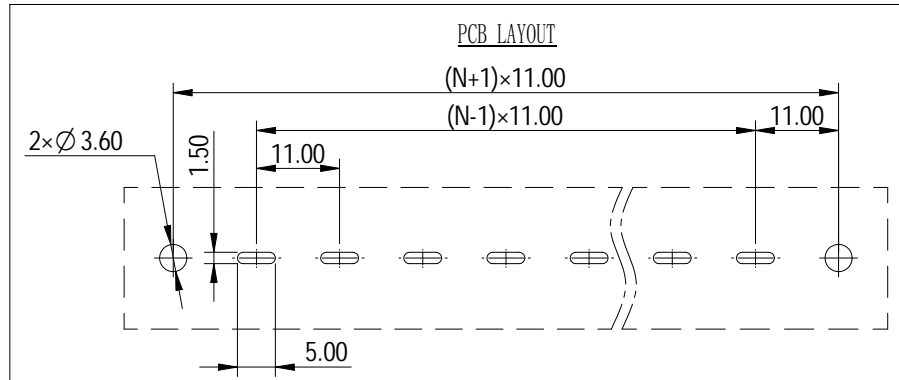
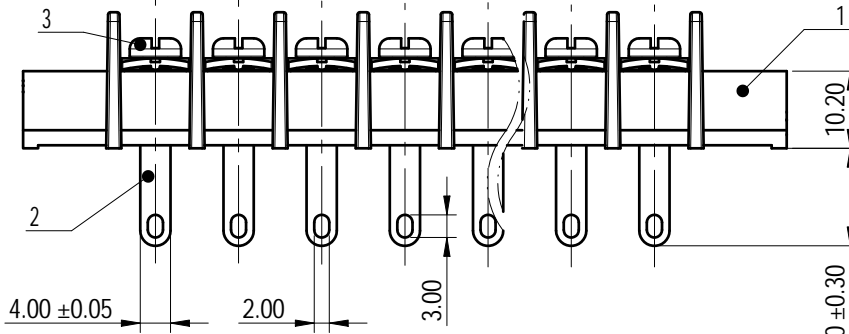
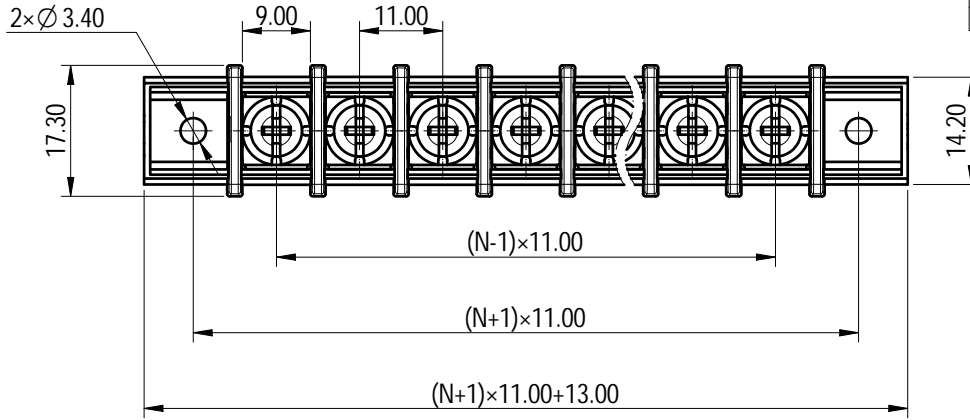
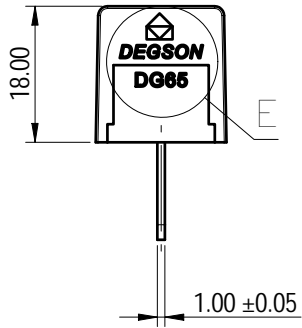


未注公差/General tolerances (mm)												0.1/10		
0 ~ 3	>3 ~ 6	>6 ~ 10	>10 ~ 18	>18 ~ 30	>30 ~ 50	>50 ~ 80	>80 ~ 120	>120 ~ 180	>180 ~ 250	>250 ~ 315	>315 ~ 400		>400 ~ 500	>500
±0.12	±0.18	±0.22	±0.26	±0.31	±0.37	±0.57	±0.80	±0.93	±1.05	±1.15	±1.60	±2.20	±2.50	±2'



Note: The A&Z(H) in the name means: A(H) and Z(H).

ITEM	NAME OF PART	MATERIAL	NOTES
3	Screw	Steel	Ni Plated
2	Pin header	Copper alloy	Sn Plated
1	Housing	PA66	UL94V-0
UL 标准/UL Standard:		B	C
额定电压/电流/Rated Voltage(V)/Current(A)		300/30	/ 300/10
螺丝扭矩/Torque Tightening(N·m/Lb.in)		M4, 1.19/10.53	
线径范围(硬线和软线)/Wire Range(rigid and flexible)(AWG)		22~10	
间距/Pitch(mm)/线数范围/Poles		11.00/N=02~20P	
剥线长度/Stripping length(mm)		11~13	
使用温度范围/Operating temperature(°C)		-40~+105	
符合RoHS环保要求/Conform to RoHS		Yes	

		MATERIAL:	SURFACE/COLOR:		
APPD: 蓝贵凡 2024.02.20		MAT NO./REV: - / 00	MAT STATUS: 批量		
CHKD: 曹利彬 2024.02.20		NAME			
DRFT: 姜民洁 2024.02.20		DG65H-A-XXP-1Y-00A&Z(H)			
DRAWING NO. 200056433		TYPE CUSTOMER DRAWING		DRAWING STATUS 已发布	
SCALE 1:1		SHEET 1/1			

REV	ECN	DESCRIPTION	DRFT	DATE
00			姜民洁	2024.02.20

Transfer or duplication of this document as well as the utilization or communication of its contents are prohibited unless authorized in writing by DEGSON. All rights reserved for patent. 除专利注明情况外，其他内容均受版权保护。未经授权，不得复制或传播。 除专利注明情况外，其他内容均受版权保护。 除专利注明情况外，其他内容均受版权保护。