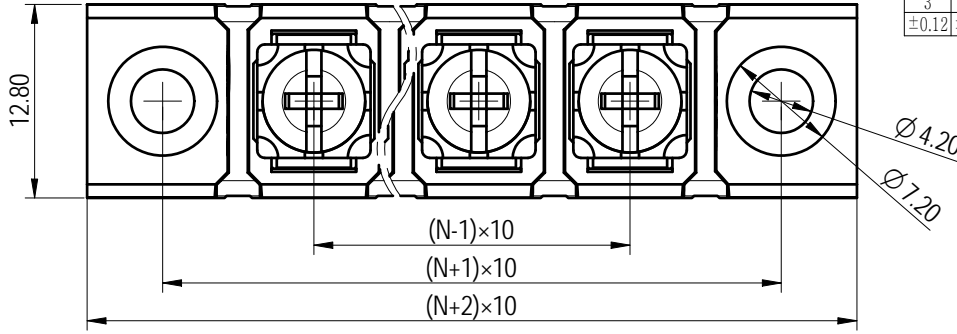
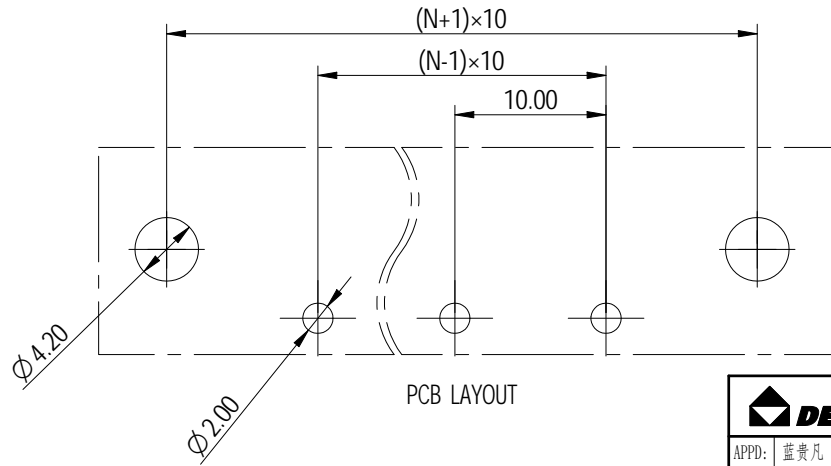
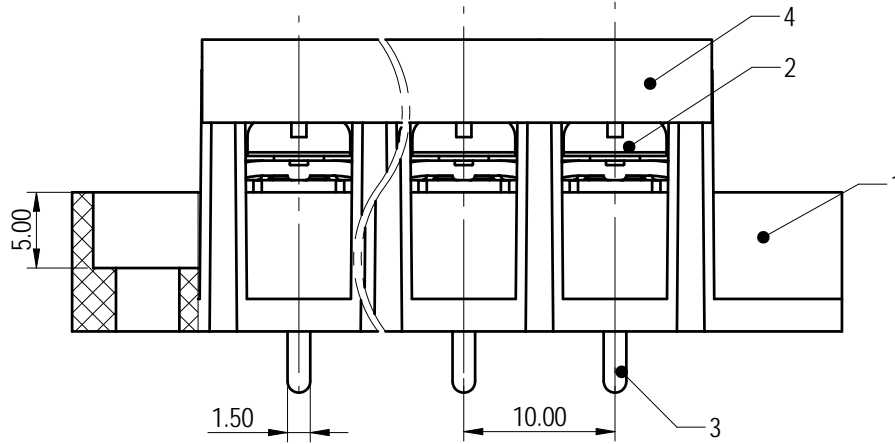
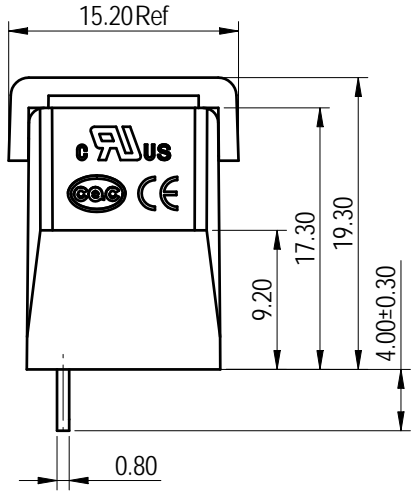


(W/O COVER VIEW)



未注公差/General tolerances (mm)											0.1/10			
0 ~ 3	>3 ~ 6	>6 ~ 10	>10 ~ 18	>18 ~ 30	>30 ~ 50	>50 ~ 80	>80 ~ 120	>120 ~ 180	>180 ~ 250	>250 ~ 315		>315 ~ 400	>400 ~ 500	>500
±0.12	±0.18	±0.22	±0.26	±0.31	±0.37	±0.57	±0.80	±0.93	±1.05	±1.15	±1.60	±2.20	±2.50	±2'



Note: The A&Z(H) in the name means: A(H) and Z(H).

ITEM	NAME OF PART	MATERIAL	NOTES
4	Cover	PC	UL94V-0
3	Pin header	Copper alloy	M4/Sn Plated
2	Screw	Steel	M4/Ni Plated
1	Housing	PA66	UL94V-0

UL 标准/UL Standard:		B	C	D
额定电压/电流/Rated Voltage(V)/Current(A)		300/20	/	300/10
螺丝扭矩/Torque Tightening(N·m/Lb.in)		M4, 1.2/10.53		
线径范围(硬线和软线)/Wire Range(rigid and flexible)(AWG/mm ²)		22~12		
间距/Pitch(mm)/线数范围/Poles		10/N=02~22P		
使用温度范围/Operating temperature(°C)		-40~+105		
符合RoHS环保要求/Conform to RoHS		Yes		

MATERIAL:		SURFACE/COLOR:	
MAT NO./REV: / 00		MAT STATUS: 批量	
APPD: 蓝贵凡 2022.12.21	NAME	DG58S-A-XXP-1Y-00A&Z(H)	
CHKD: 曹利彬 2022.12.21	DRAWING NO.	TYPE	DRAWING STATUS
DRFT: 孙科豪 2022.12.21	200122947	CUSTOMER DRAWING	已发布
REV	ECN	DESCRIPTION	SCALE
00		孙科豪	2:1
REV	ECN	DESCRIPTION	SHEET
			1/1

REV	ECN	DESCRIPTION	DRFT	DATE
00			孙科豪	2022.12.21

Transfer or duplication of this document as well as the utilization or communication of its contents are prohibited unless authorized in writing. All rights reserved for patent, utility model or design registrations. 除专利、实用新型、外观设计、软件著作权等权利外，其他权利均归本公司所有。未经许可，不得复制或传播。