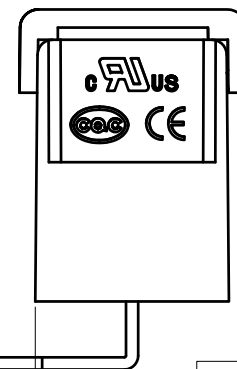
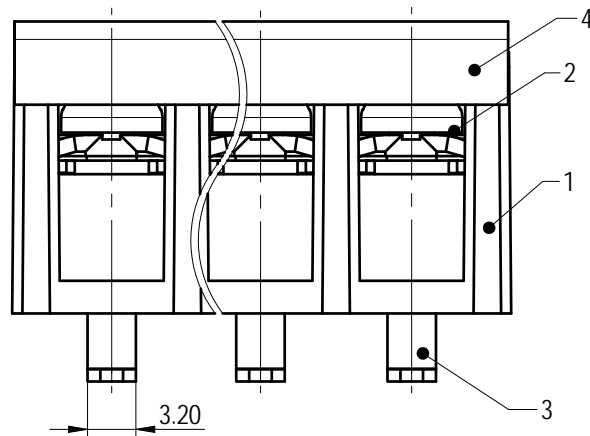
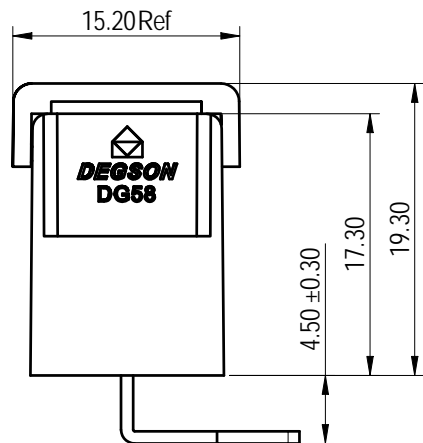
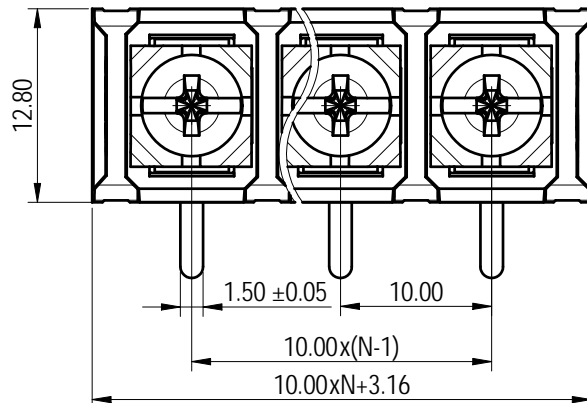


未注公差/General tolerances (mm)													0.1/10	
0 ~ 3	>3 ~ 6	>6 ~ 10	>10 ~ 18	>18 ~ 30	>30 ~ 50	>50 ~ 80	>80 ~ 120	>120 ~ 180	>180 ~ 250	>250 ~ 315	>315 ~ 400	>400 ~ 500		>500
±0.12	±0.18	±0.22	±0.26	±0.31	±0.37	±0.57	±0.80	±0.93	±1.05	±1.15	±1.60	±2.20	±2.50	±2'

(W/O COVER VIEW)

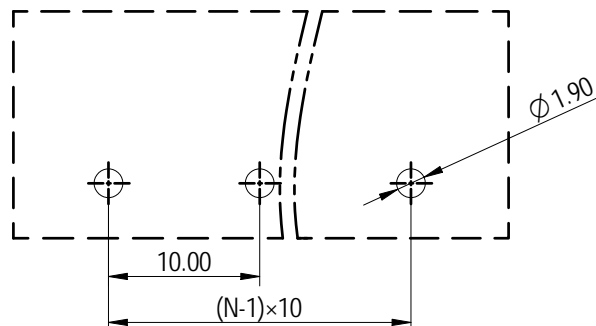


5.00 ± 0.30

Note: The A&Z(H) in the name means: A(H) and Z(H).

ITEM	NAME OF PART	MATERIAL	NOTES
4	Cover	PC	UL94V-2
3	Pin header	Copper alloy	M4/Sn plated
2	Screw	Steel	M4/Ni plated
1	Housing	PA66	UL94V-0

PCBLAYOUT



UL 标准/UL Standard:		B	C	D
额定电压/电流/Rated Voltage(V)/Current(A)		300V/20	/	300/10
螺丝扭矩/Torque Tightening(Lb.in)		M4, 10.53		
线径范围(硬线和软线)/Wire Range(rigid and flexible)(AWG/mm²)		22~12		
线数范围/Poles		N=02~20P		
使用温度范围/Operating temperature(°C)		-40~+105		
符合RoHS环保要求/Conform to RoHS		Yes		
标准颜色编号/Standard color number: PANTONE / RAL		/		

DEGSON		MATERIAL:	SURFACE/COLOR:
APPD: 蓝贵凡 2022.12.21		MAT NO./REV: / 00	MAT STATUS: 批量
CHKD: 曹利彬 2022.12.21		NAME	
DRFT: 孙科豪 2022.12.21		DG58R-B-XXP-1Y-00A&Z(H)	
DRAWING NO.	TYPE	DRAWING STATUS	SCALE
200071307	CUSTOMER DRAWING	已发布	2:1
SHEET		1/1	

REV	ECN	DESCRIPTION	DRFT	DATE
00			孙科豪	2022.12.21

Transfer or duplication of this document as well as the utilization or communication of its contents are prohibited unless authorized in writing. All rights reserved for patent, utility model or design registrations. 除特别说明外, 未经许可, 不得复制或传播。 保留所有权利, 未经许可, 不得复制或传播。