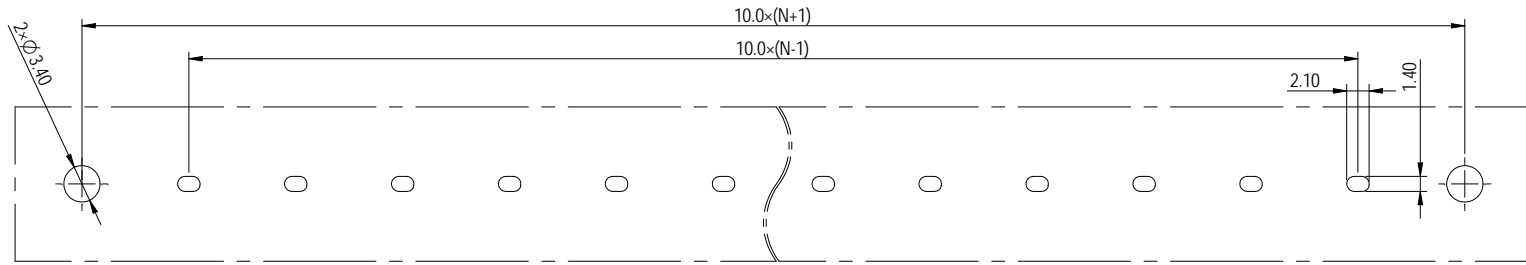
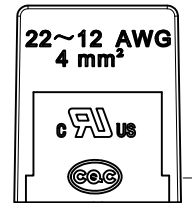
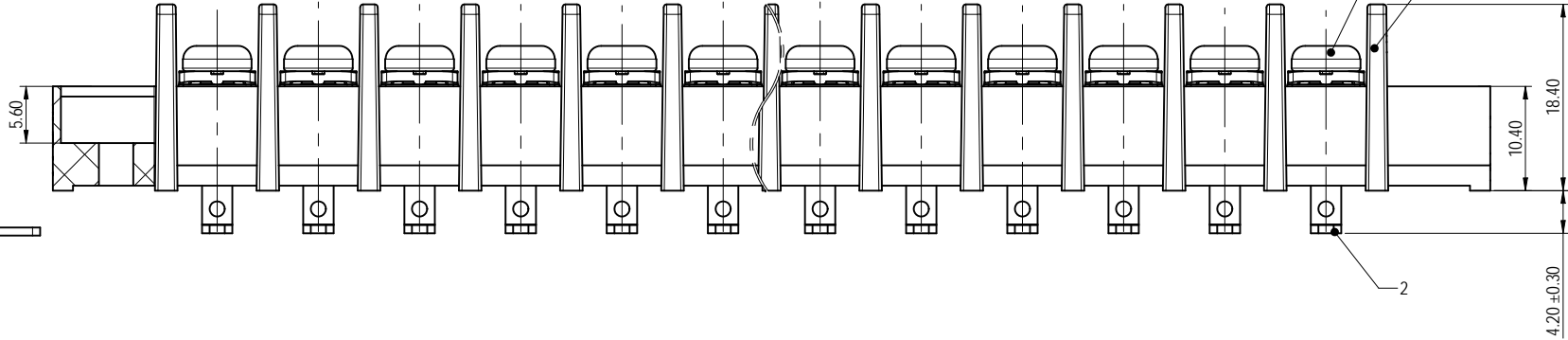
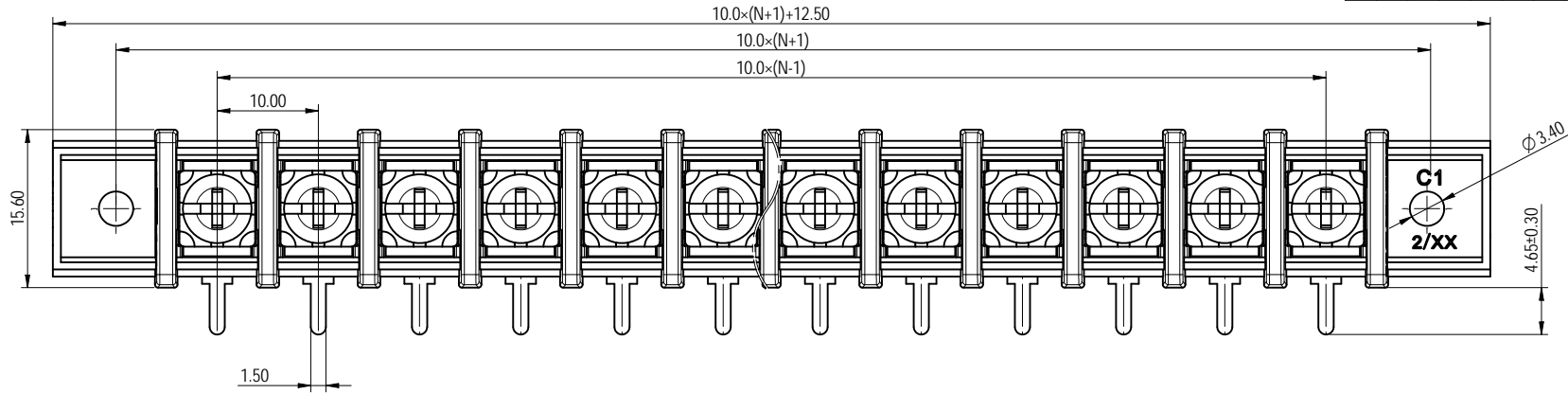


公差表 (General tolerances (mm))													D	
0	>3	>6	>10	>18	>30	>50	>80	>120	>180	>250	>315	>400	>500	0.1/10
3	6	10	18	30	50	80	120	180	250	315	400	500	>500	N
±0.12	±0.18	±0.22	±0.26	±0.31	±0.37	±0.57	±0.80	±0.93	±1.05	±1.15	±1.60	±2.20	±2.50	±2



PCB LAYOUT

Note: The A&Z (H) in the name means: A(H) and Z(H).

ITEM	NAME OF PART	MATERIAL	NOTES
3	Screw	Steel	Ni Plated
2	Pin header	Copper alloy	Sn Plated
1	Housing	PA66	UL94V-0

UL 标准/UL Standard:	B	C	D
额定电压/电压/Rated Voltage(V)/Current(A)	300/20	/	300/10
螺丝扭矩/Torque Tightening(N·m/Lb.in)	M4. 1.20/10.62		
线径范围(硬线和软线)/Wire Range(rigid and flexible)(AWG)	22~12		
间距/Pitch(mm)/线数范围/Poles	10.00/N=02~24P		
剥线长度/Stripping length(mm)	7~8		
使用温度范围/Operating temperature(°C)	-40~+105		
符合RoHS环保要求/Conform to RoHS	Yes		

DEGSON MATERIAL: SURFACE/COLOR: /00 MAT STATUS: 批量

APPD: 蓝美凡 2024.01.16 NAME: **DC55R-A-XXP-1Y-00A&Z(H)**

CHKD: 曹利彬 2024.01.16

DRAFT: 孙科豪 2024.01.16

DRAWING NO. 200266642 TYPE CUSTOMER DRAWING DRAWING STATUS 已发布 SCALE 1:1 SHEET 1/1

REV	ECN	DESCRIPTION	DRAFT	DATE
00				

Transfer or duplication of this document as well as the utilization or reproduction of its contents without the written permission of the copyright holder is prohibited. All rights reserved for patent.