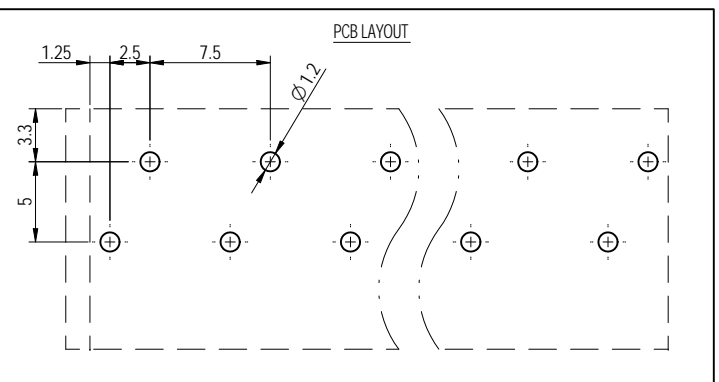
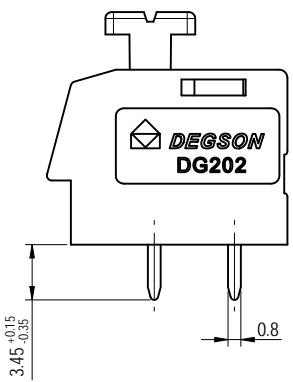
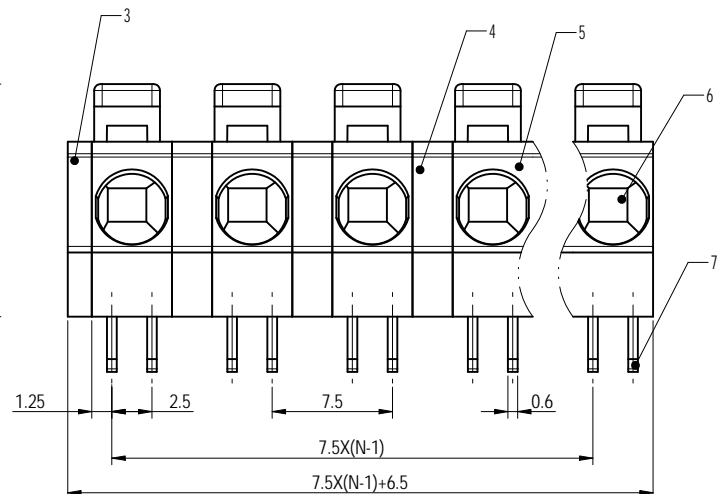
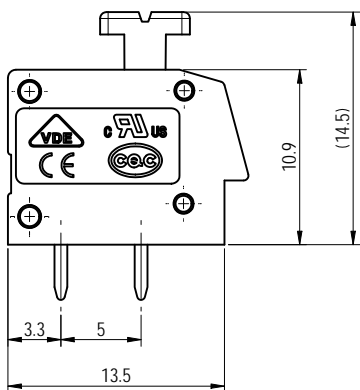
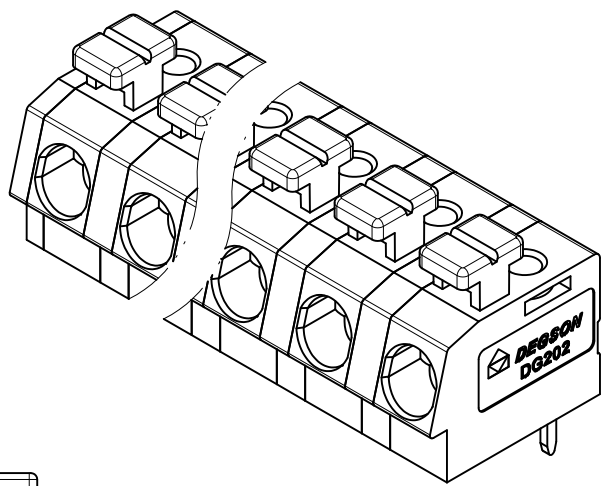
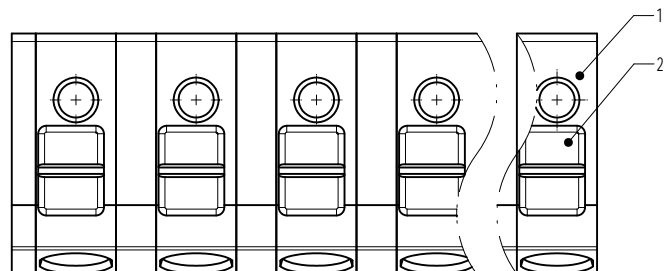


公差/General tolerances (mm)											D 0.1/10		
0	>3	>6	>10	>18	>30	>50	>80	>120	>180	>250		>315	>400
±0.12	±0.18	±0.22	±0.26	±0.31	±0.37	±0.57	±0.80	±0.93	±1.05	±1.15	±1.60	±2.20	±2.50



Note:
The A&Z(H) in the name means: A(H) and Z(H).

ITEM	NAME OF PART	MATERIAL	NOTES
7	Pin header	Copper	Sn plated
6	Spring	Stainless steel	/
5	Housing2	PA66	UL94V-0
4	Clapboard	PA66	UL94V0
3	Cover	PA66	UL94V-0
2	Button	PA66	UL94V-0
1	Housing1	PA66	UL94V-0

UL 标准/UL Standard:	B	C	D
额定电压/电流/Rated Voltage(V)/Current(A)	300/12	/	300/10
IEC 标准/IEC Standard:			
过压类别/Overvoltage Category/污染等级/Pollution Degree	III/3	III/2	II/2
额定电压/电流/Rated Voltage(V)/Current(A)	/	450/16	/
工频耐压/Withstanding Voltage (V/min)	/	AC2500	/
线径范围(硬线和软线)/Wire Range(rigid and flexible)(AWG/mm²)	20~12 / 0.2~2.5		
间距/Pitch(mm)/线数范围/Poles	7.5/N=02~16P		
剥线长度/Stripping length(mm)	10~11		
使用温度范围/Operating temperature(°C)	-40~+105		
符合RoHS环保要求/Conform to RoHS	Yes		

DEGSON MATERIAL: SURFACE/COLOR: /00 MAT STATUS: 批量

APPD: 竺春华 2022.10.09 NAME: DG202-7.5-XXP-1Y-00A&Z(H)

CHKD: 陈超 2022.10.09

DRFT: 姜徐涛 2022.10.08

DRAWING NO. 200029106 TYPE CUSTOMER DRAWING DRAWING STATUS 已发布 SCALE 1:1 SHEET 1/1

REV	ECN	DESCRIPTION	DRFT	DATE
00				2022.10.08

Transfer or duplication of this document as well as the utilization of its contents without the written permission of DEGSON is prohibited. All rights reserved for patent. 未经授权复制或传播本文件及其内容，以及在没有 DEGSON 书面许可的情况下使用其内容，均属于侵权行为。保留所有权利。保留所有权利。