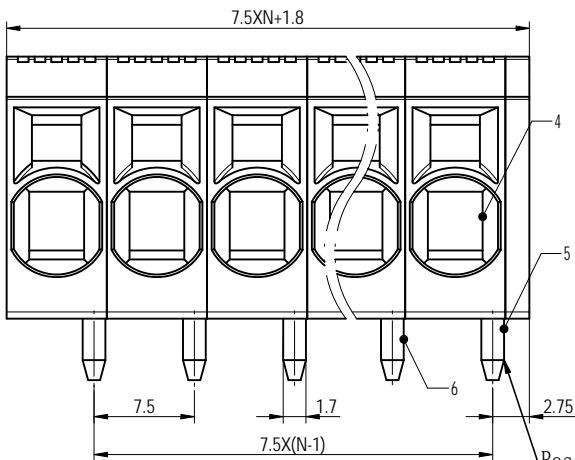
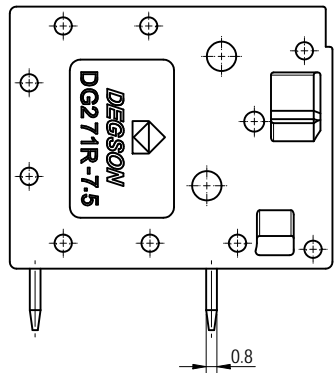
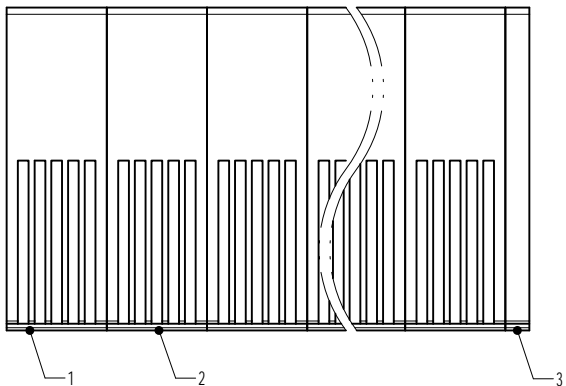
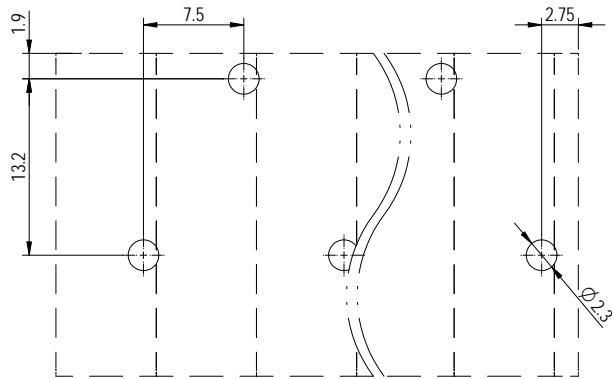
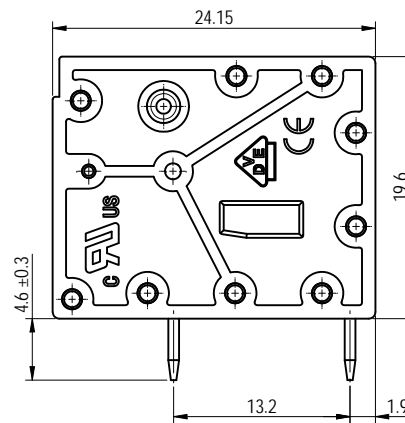


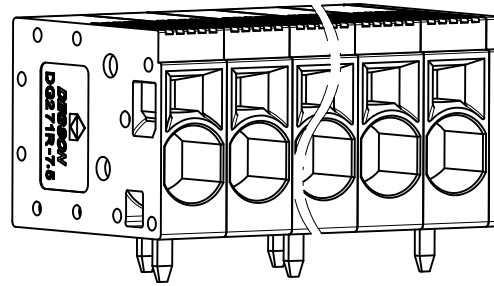
PCB LAYOUT



Note:
Based on Cover,
the first one is Front pin header.



公差/General tolerances (mm)												D			
0	>3	>6	>10	>18	>30	>50	>80	>120	>180	>250	>315		>400	>500	0.1/10
±0.12	±0.18	±0.22	±0.26	±0.31	±0.37	±0.57	±0.80	±0.93	±1.05	±1.15	±1.60	±2.20	±2.50	±2	0.1/10
UL 标准/UL Standard:												B	C	D	
额定电压/电压/Rated Voltage(V)/Current(A)												600/40	600/40	/	
IEC 标准/IEC Standard:															
过压类别/Overvoltage Category/污染等级/Pollution Degree												III/3	III/2	II/2	
额定电压/电压/Rated Voltage(V)/Current(A)												630/41	1000/41	1000/41	
额定脉冲电压(KV)/Rate Impulse Voltage(KV)												8	8	8	
线径范围(硬线和软线)/Wire Range(rigid and flexible)(AWG/mm²)												24~8 / 0.2~6.0			
间距/Pitch(mm)/线数范围/Poles												7.5/N=02~16P			
剥线长度/Stripping length(mm)												14~15			
使用温度范围/Operating temperature(°C)												-40~+105			
符合RoHS环保要求/Conform to RoHS												Yes			



Note:
The A&Z(H) in the name means :A(H) and Z(H).

ITEM	NAME OF PART	MATERIAL	NOTES
6	Back Pin Header	Copper	Sn Plated
5	Front Pin Header	Copper	Sn Plated
4	Spring	Stainless steel	/
3	Cover	PA66	UL94V-0
2	Housing 2	PA66	UL94V-0
1	Housing 1	PA66	UL94V-0

DIGSON		MATERIAL: /	SURFACE/COLOR: /	
APPD: 竺泰华	2022.12.28	MAT NO./REV: -	/ 00	MAT STATUS: 批量
CHKD: 陈超	2022.12.16	NAME: DG271R-7.5-DA-XXP-1Y-100A&Z(H)		
DRFT: 李凯	2022.12.16	DRAWING NO.	TYPE	DRAWING STATUS
REV	ECN	DESCRIPTION	DRFT	DATE
00			李凯	2022.12.16
		A3		200027954
		CUSTOMER DRAWING		已发布
		SCALE		SHEET
		2.5:1		1/1

Transfer or duplication of this document as well as the utilization of its contents without the prior written consent of Digson Electronics Co., Ltd. is prohibited. All rights reserved for patent.