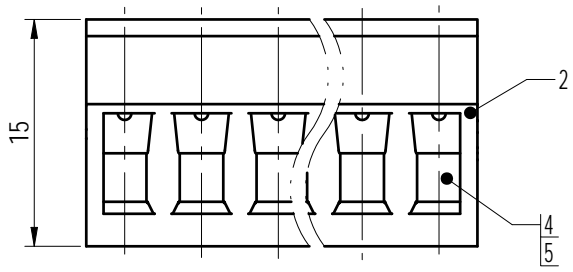
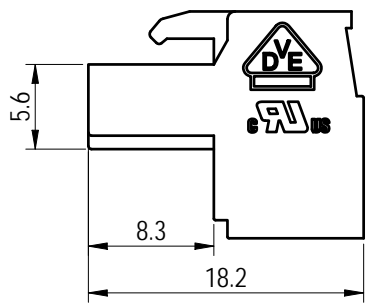
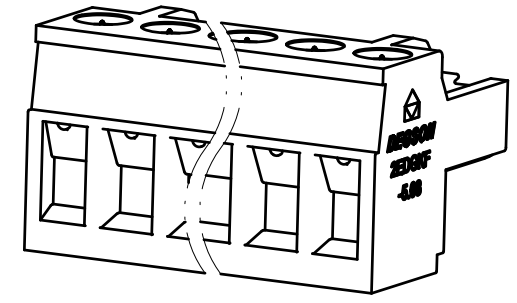
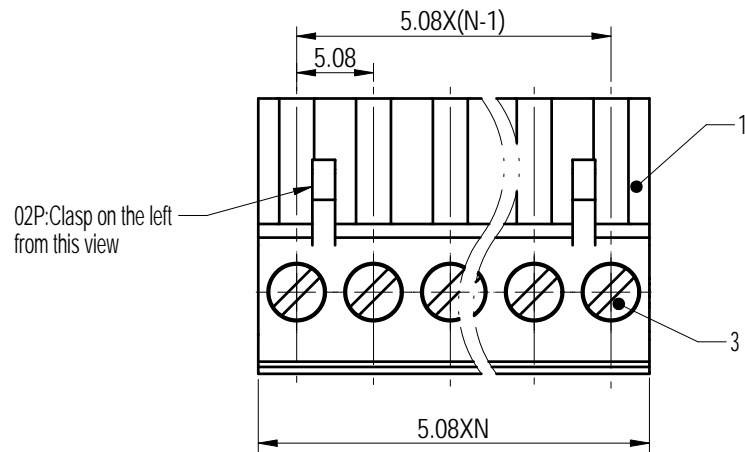


Transfer or duplication of this document as well as the utilization or communication of its content are prohibited unless authorized in writing by DEGGON. All rights reserved for patent, utility model or design registrations. 除专利等明确标注外, 未经许可, 不得复制或传播。 未经授权, 不得复制或传播。 未经授权, 不得复制或传播。

未注公差/General tolerances (mm)													0.1/10	
0 ~ 3	>3 ~ 6	>6 ~ 10	>10 ~ 18	>18 ~ 30	>30 ~ 50	>50 ~ 80	>80 ~ 120	>120 ~ 180	>180 ~ 250	>250 ~ 315	>315 ~ 400	>400 ~ 500		>500
±0.12	±0.18	±0.22	±0.26	±0.31	±0.37	±0.57	±0.80	±0.93	±1.05	±1.15	±1.60	±2.20	±2.50	±2'



ITEM	NAME OF PART	MATERIAL	NOTES
5	Clamp	Copper alloy	Sn Plated
4	Cage	Copper alloy	M3/Ni Plated
3	Screw	Steel	M3/Zn Plated
2	Cover	PA66	UL94V-0
1	Housing	PA66	UL94V-0

UL 标准/UL Standard:	B	C	D
额定电压/电流/Rated Voltage(V)/Current(A)	300/15	/	300/10
IEC 标准/IEC Standard:	III/3	III/2	II/2
过压类别/Overvoltage Category/污染等级/Pollution Degree	/	320/20	/
额定电压/电流/Rated Voltage(V)/Current(A)	/	4	/
额定脉冲电压(KV)/Rate Impulse Voltage(KV)	M3, 0.5/4.43		
线径范围(硬线和软线)/Wire Range(rigid and flexible)(AWG/mm²)	28~12 / 0.2~2.5		
间距/Pitch(mm)/线数范围/Poles	5.08/N=02~24P		
剥线长度/Stripping length(mm)	7~8		
使用温度范围/Operating temperature(°C)	-40~+105		
符合RoHS环保要求/Conform to RoHS	Yes		
标准颜色编号/Standard color number: PANTONE / RAL	/		

DEGGON

MATERIAL: SURFACE/COLOR:
 MAT NO./REV: - / 00 MAT STATUS: 批量

APPD: 兰春华 2023. 11. 21 NAME
 CHKD: 龚耀志 2023. 11. 21
 DRFT: 方哲盛 2023. 11. 21

2EDGKF-5.08-XXP-1Y-1000Z (H)

DRAWING NO. TYPE DRAWING STATUS SCALE SHEET
 200019076 CUSTOMER DRAWING 已发布 2:1 1/1

REV	ECN	DESCRIPTION	DRFT	DATE
00			方哲盛	2023. 11. 21