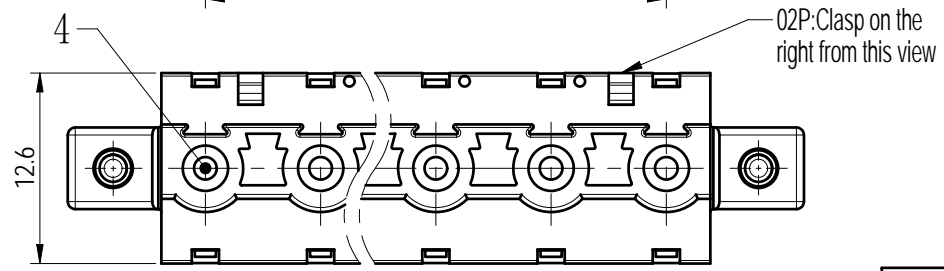
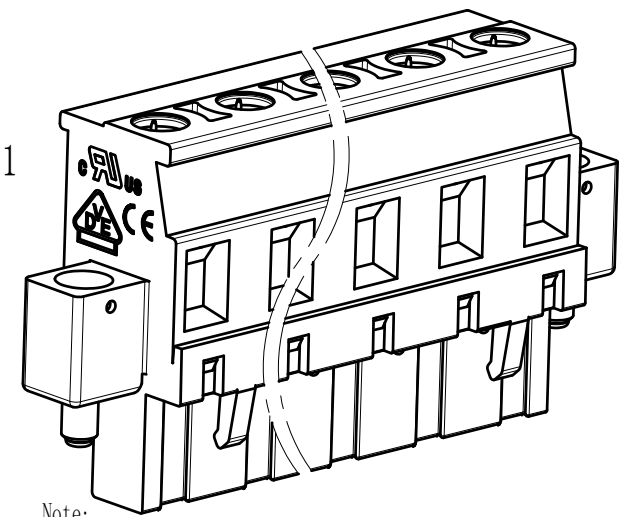
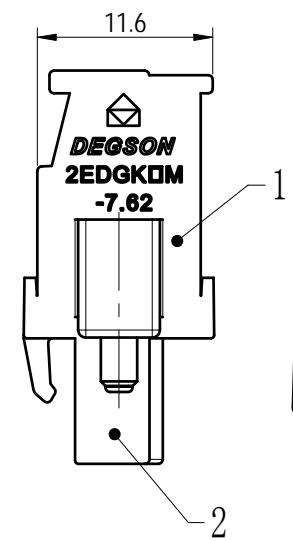
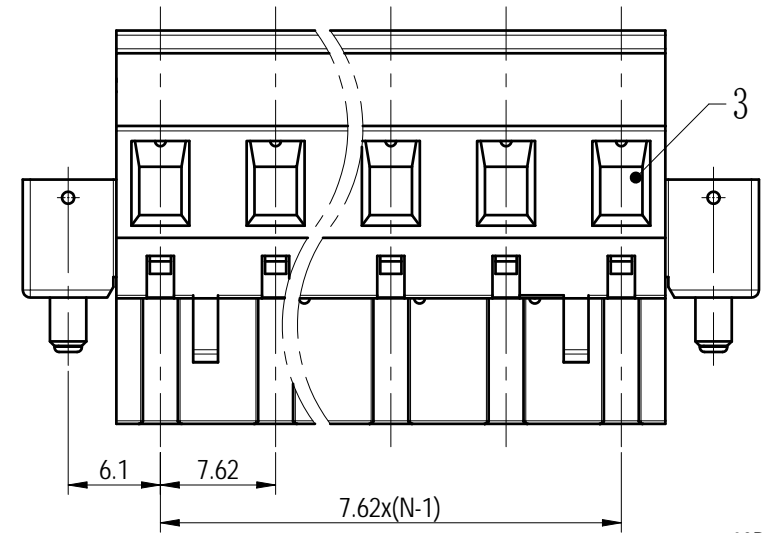
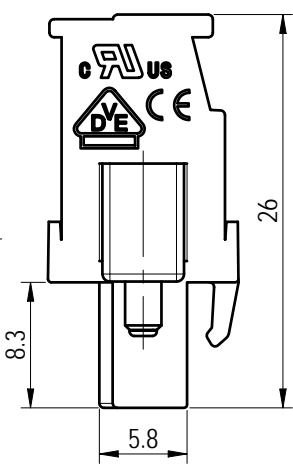
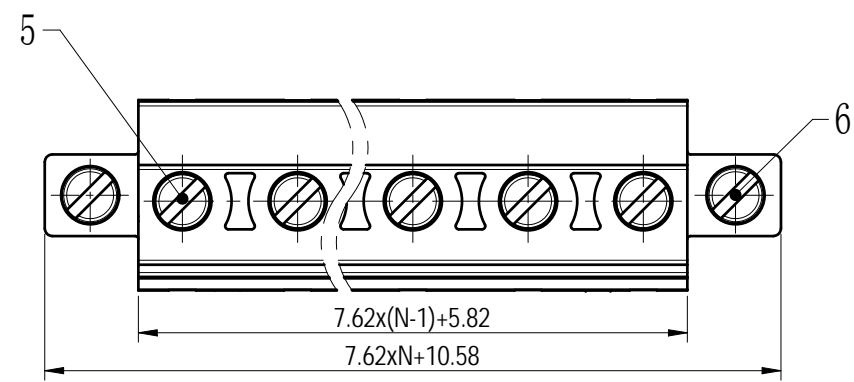


未注公差/General tolerances (mm)													0.1/10 ±2'
0	>3	>6	>10	>18	>30	>50	>80	>120	>180	>250	>315	>400	
~3	~6	~10	~18	~30	~50	~80	~120	~180	~250	~315	~400	~500	>500
±0.12	±0.18	±0.22	±0.26	±0.31	±0.37	±0.57	±0.80	±0.93	±1.05	±1.15	±1.60	±2.20	±2.50



UL 标准/UL Standard:	B	C	D
额定电压/电流/Rated Voltage(V)/Current(A)	300/15	/	300/10
IEC 标准/IEC Standard:			
过压类别/Overvoltage Category/污染等级/Pollution Degree	III/3	III/2	II/2
额定电压/电流/Rated Voltage(V)/Current(A)	/	400/18	/
额定脉冲电压(KV)/Rate Impulse Voltage(KV)	/	4	/
螺丝扭矩/Torque Tightening(N·m/Lb.in)	M3, 0.6/5.32		
线径范围(硬线和软线)/Wire Range(rigid and flexible)(AWG/mm <sup>2</sup> )	28~12 / 1.0~2.5		
间距/Pitch(mm)/线数范围/Poles	7.62/N=02~12P		
剥线长度/Stripping length(mm)	7		
使用温度范围/Operating temperature(°C)	-40~+105		
符合RoHS环保要求/Conform to RoHS	Yes		

Note:  
The A&Z(H) in the name means: A(H) and Z(H).

ITEM	NAME OF PART	MATERIAL	NOTES
6	Screw 2	Steel	M2.5/Zn Plated
5	Screw 1	Steel	M3/Zn Plated
4	Clamp	Copper alloy	Sn Plated
3	Cage	Copper alloy	M3/Ni Plated
2	Cover	PA66	UL94V-0
1	Housing	PA66	UL94V-0

		MATERIAL:	SURFACE/COLOR:	
APPD: 兰春华	2023.03.06	MAT NO./REV: - / 00	MAT STATUS: 批量	
CHKD: 龚耀志	2023.03.03	NAME		
DRFT: 代永康	2023.03.03	2EDGKAM-7.62-XXP-1Y-1000A&Z(H)		
REV	ECN	DESCRIPTION	DRAWING NO.	TYPE
00		代永康	200020968	CUSTOMER DRAWING
DRFT	DATE	DRFT	SCALE	DRAWING STATUS
代永康	2023.03.03	代永康	2:1	已发布
A4		SHEET		
(inch)		1/1		

Transfer or duplication of this document as well as the utilization or communication of its content are prohibited unless authorized in writing by DEGSON. All rights reserved for patent. 除专利等明确标注外，其他内容均受版权保护。未经授权，禁止复制或传播。 产品型号及规格如有变更，恕不另行通知。 产品型号及规格如有变更，恕不另行通知。