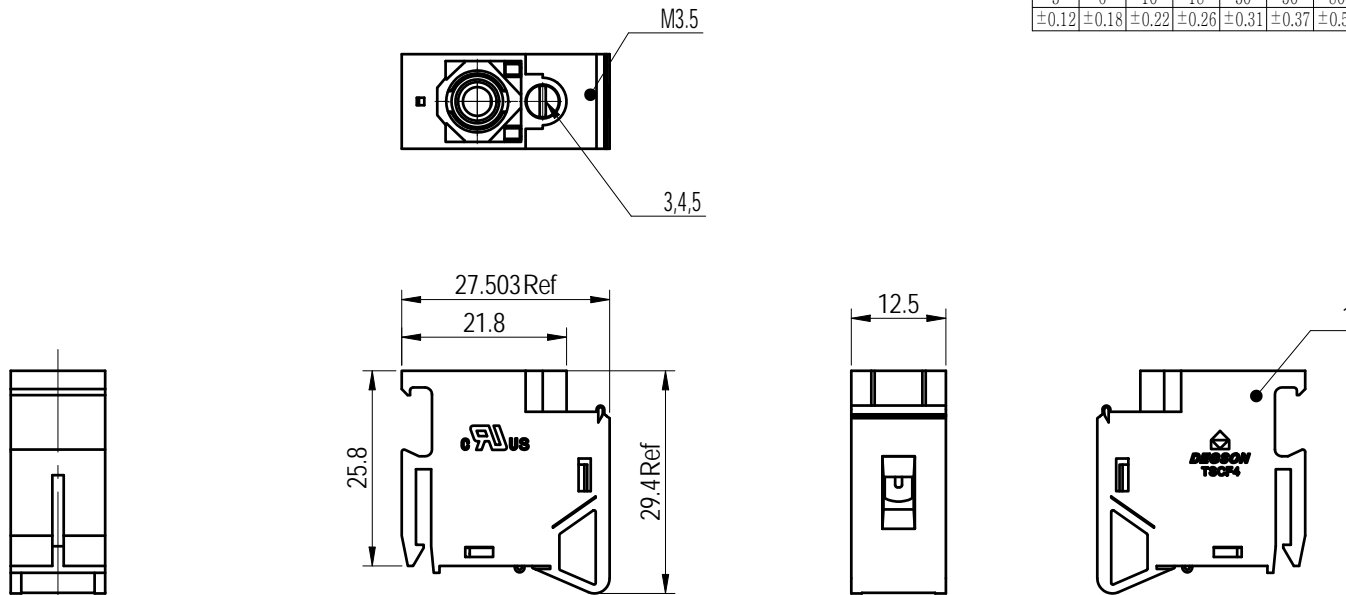


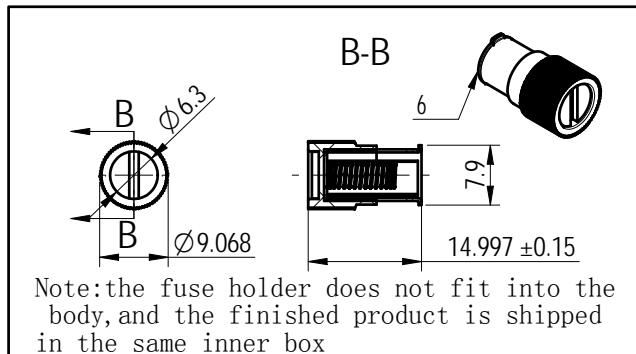
未注公差/General tolerances (mm)											0.1/10 ±2'		
0	>3	>6	>10	>18	>30	>50	>80	>120	>180	>250		>315	>400
~3	~6	~10	~18	~30	~50	~80	~120	~180	~250	~315	~400	~500	>500
±0.12	±0.18	±0.22	±0.26	±0.31	±0.37	±0.57	±0.80	±0.93	±1.05	±1.15	±1.60	±2.20	±2.50



Note: The A&Z(H) in the name means: A(H) and Z(H).

ITEM	NAME OF PART	MATERIAL	NOTES
6	Fuse holder	/	/
5	Current carrier	Copper	Sn Plated
4	Cage	Copper alloy	M3.5/Ni Plated
3	Screw	Steel	M3.5/Zn Plated
2	Pin header	Copper	Sn Plated
1	Housing	PA66	UL94 V-0

UL 标准/UL Standard:	B	C	D
额定电压/电流/Rated Voltage(V)/Current(A)	300/8	/	/
IEC 标准/IEC Standard:			
额定电压/电流/Rated Voltage(V)/Current(A)	250/10		
螺丝扭矩/Torque Tightening(N·m/Lb.in)	M3.5: 0.8/7.0		
线径范围(硬线和软线)/Wire Range(rigid and flexible)(AWG/mm ²)	30~10/0.5~4.0		
线数范围/Poles	N=01P		
剥线长度/Stripping length(mm)	8		
使用温度范围/Operating temperature(°C)	-40~+105		
符合 RoHS 环保要求/Conform to RoHS	Yes		
标准颜色编号/Standard color number: PANTONE	157U		



DEGSON		MATERIAL:	SURFACE/COLOR:		
APPD: 蓝贵凡 2022.12.15		MAT NO./REV:	/ 00 MAT STATUS: 批量		
CHKD: 曹利彬 2022.12.15		NAME			
DRFT: 孙科豪 2022.12.15		TSCF4-01P-1Y-01A&Z(H)			
DRAWING NO. 200118402		TYPE	DRAWING STATUS	SCALE	SHEET
A4		CUSTOMER DRAWING	已发布	2:1	1/1

REV	ECN	DESCRIPTION	DRFT	DATE
00				

Transfer or duplication of this document as well as the utilization or communication of its contents are prohibited unless expressly permitted. Violations will be held for compensation. All rights reserved for patent, utility model or designer registrations. 除专利等权利外, 未经许可, 不得复制或传播。 未经授权, 不得复制或传播。 未经授权, 不得复制或传播。