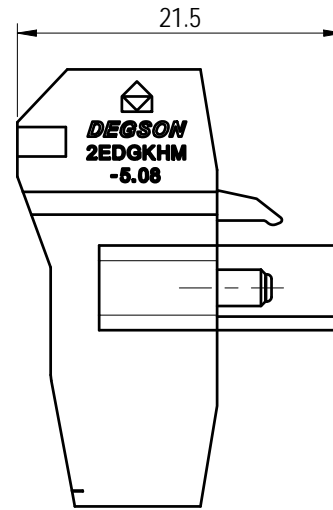
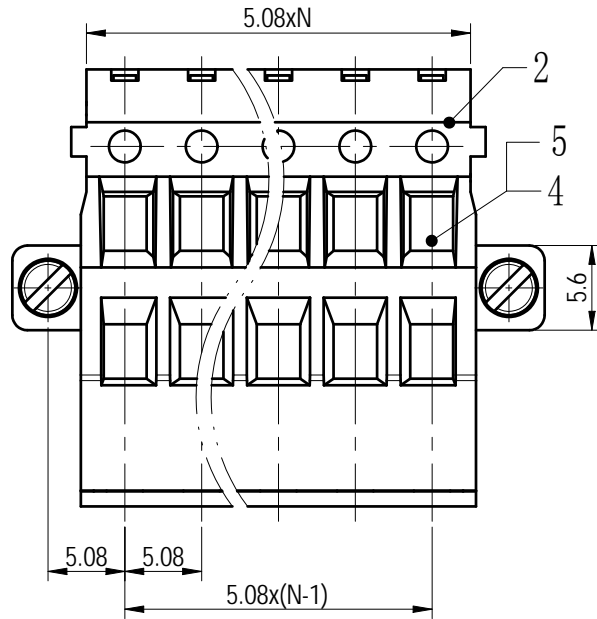
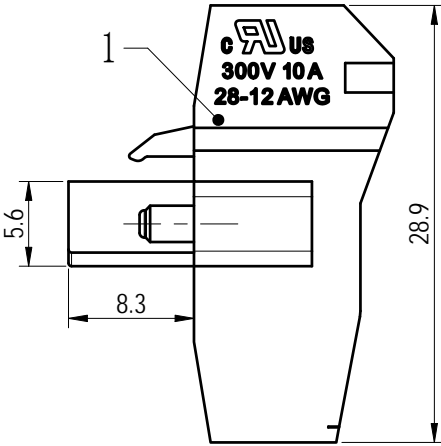
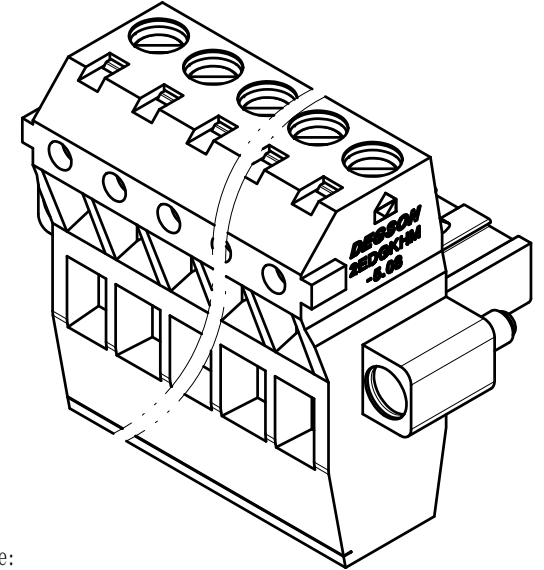
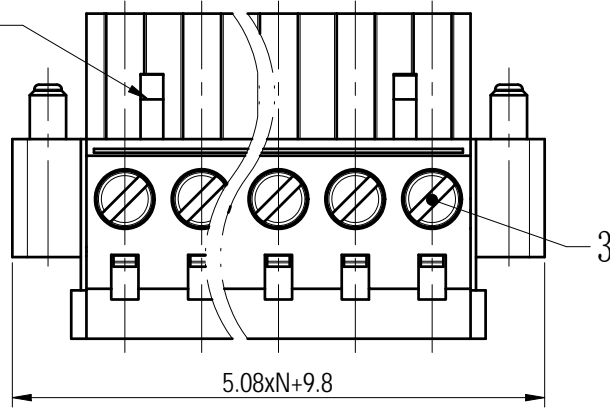


未注公差/General tolerances (mm)													0.1/10
0	>3	>6	>10	>18	>30	>50	>80	>120	>180	>250	>315	>400	
~3	~6	~10	~18	~30	~50	~80	~120	~180	~250	~315	~400	~500	>500
±0.12	±0.18	±0.22	±0.26	±0.31	±0.37	±0.57	±0.80	±0.93	±1.05	±1.15	±1.60	±2.20	±2.50

2P:Clasp on the left from this view



Note:
The A&Z(H) in the name means: A(H) and Z(H).

ITEM	NAME OF PART	MATERIAL	NOTES
5	Clamp	Copper alloy	Sn Plated
4	Cage	Copper alloy	M2.5/Ni Plated
3	Screw	Steel	M2.5/Zn Plated
2	Cover	PA66	UL94V-0
1	Housing	PA66	UL94V-0

ITEM	NAME OF PART	MATERIAL	NOTES	
UL 标准/UL Standard:		B	C	D
额定电压/电流/Rated Voltage(V)/Current(A)		300/10	/	300/10
IEC 标准/IEC Standard:				
过压类别/Ovenvoltage Category/污染等级/Pollution Degree		III/3	III/2	II/2
额定电压/电流/Rated Voltage(V)/Current(A)		/	250/15	/
额定脉冲电压(KV)/Rate Impulse Voltage(KV)		/	4	/
螺丝扭矩/Torque Tightening(N·m/Lb.in)		M2.5, 0.4/3.54		
线径范围(硬线和软线)/Wire Range(rigid and flexible)(AWG/mm²)		28~12 / 0.2~2.5		
间距/Pitch(mm)/线数范围/Poles		5.08/N=02~12P		
剥线长度/Stripping length(mm)		7~8		
使用温度范围/Operating temperature(°C)		-40~+105		
符合RoHS环保要求/Conform to RoHS		Yes		

		MATERIAL:	SURFACE/COLOR:			
		MAT NO./REV:	MAT STATUS: 批量			
APPD: 兰春华	2023.02.08	NAME				
CHKD: 龚耀志	2023.02.07	2EDGKHM-5.08-XXP-1Y-00A&Z(H)				
DRFT: 朱岳鹏	2023.02.07	DRAWING NO.	TYPE	DRAWING STATUS	SCALE	SHEET
		200020239	CUSTOMER DRAWING	已发布	2:1	1/1

REV	ECN	DESCRIPTION	DRFT	DATE
00			朱岳鹏	2023.02.07

Transfer or duplication of this document as well as the utilization or communication of its content are prohibited unless authorized in writing. All rights reserved for patent, utility model or design registrations. 除专利、实用新型、外观设计、软件著作权等权利外，本公司保留对涉及发明、实用新型及外观设计的所有权利。