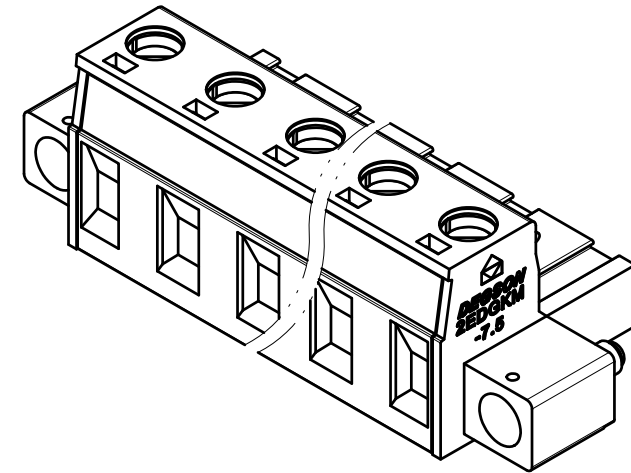
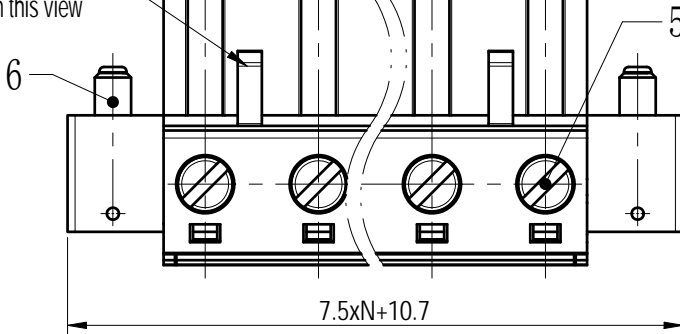


未注公差/General tolerances (mm)													0.1/10
0	>3	>6	>10	>18	>30	>50	>80	>120	>180	>250	>315	>400	
~3	~6	~10	~18	~30	~50	~80	~120	~180	~250	~315	~400	~500	>500
±0.12	±0.18	±0.22	±0.26	±0.31	±0.37	±0.57	±0.80	±0.93	±1.05	±1.15	±1.60	±2.20	±2.50

02P:Clasp on the left from this view

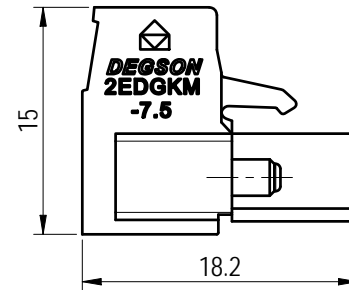
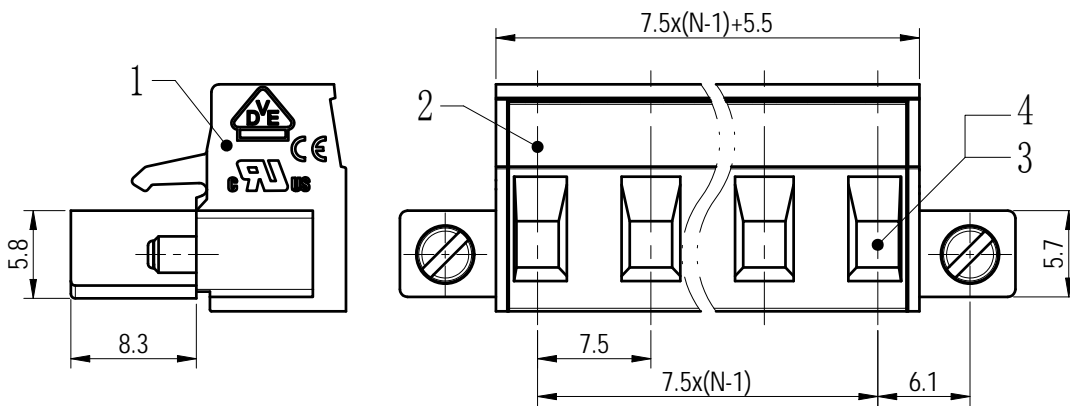


Note:

The A&Z(H) in the name means: A(H) and Z(H).

ITEM	NAME OF PART	MATERIAL	NOTES
6	Screw 2	Steel	M3/Zn Plated
5	Screw 1	Steel	M3/Zn Plated
4	Cage	Copper alloy	M3/Ni Plated
3	Clamp	Copper alloy	Sn Plated
2	Cover	PA66	UL94V-0
1	Housing	PA66	UL94V-0

ITEM	NAME OF PART	MATERIAL	NOTES	
UL 标准/UL Standard:		B	C	D
额定电压/电流/Rated Voltage(V)/Current(A)		300/15	/	300/10
IEC 标准/IEC Standard:				
过压类别/Ovenvoltage Category/污染等级/Pollution Degree		III/3	III/2	II/2
额定电压/电流/Rated Voltage(V)/Current(A)		/	400/20	/
额定脉冲电压(KV)/Rate Impulse Voltage(KV)		/	4	/
螺丝扭矩/Torque Tightening(N·m/Lb.in)		M3, 0.5/4.43		
线径范围(硬线和软线)/Wire Range(rigid and flexible)(AWG/mm²)		28~12/ 1.0~2.5		
间距/Pitch(mm)/线数范围/Poles		7.5/N=02~12P		
剥线长度/Stripping length(mm)		7~8		
使用温度范围/Operating temperature(°C)		-40~+105		
符合RoHS环保要求/Conform to RoHS		Yes		



MATERIAL:	SURFACE/COLOR:
MAT NO./REV: - / 00	MAT STATUS: 批量

APPD: 兰春华	2023.02.16	NAME	2EDGKM-7.5-XXP-1Y-1000A&Z(H)		
CHKD: 龚耀志	2023.02.16	DRAWING NO.	200020251	TYPE	CUSTOMER DRAWING

REV	ECN	DESCRIPTION	DRFT	DATE	SCALE	SHEET
00			朱岳鹏	2023.02.15	2:1	1/1

Transfer or duplication of this document as well as the utilization or communication of its content are prohibited unless expressly authorized in writing by DEGSON. All rights reserved for patent, utility model or design registrations. 除专利等权利外, 未经授权, 不得复制或传播本文件内容。 保留所有权利, 未经许可, 不得复制或传播本文件内容。