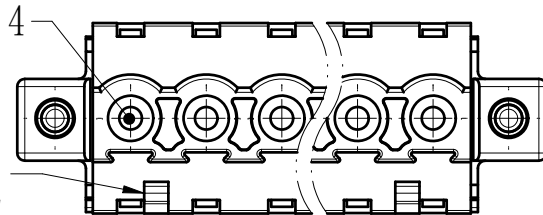
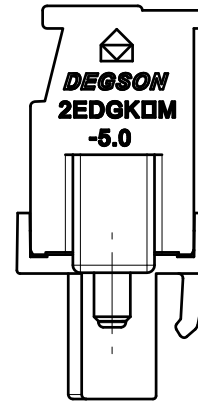
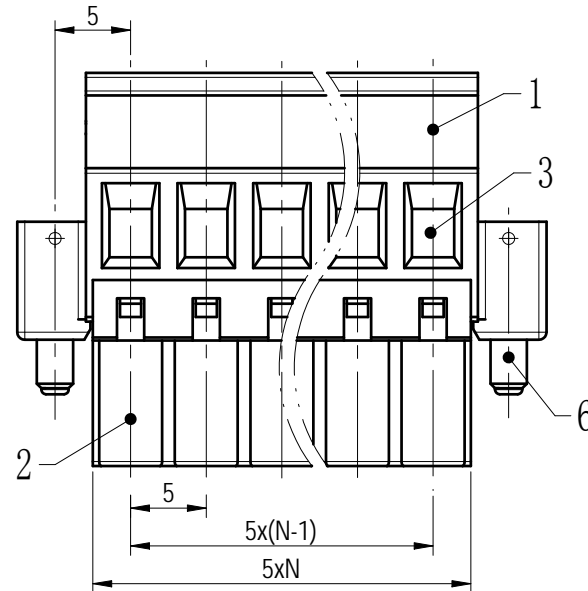
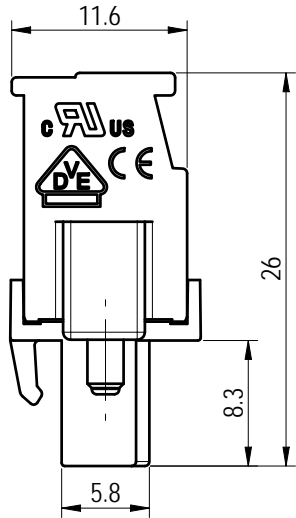
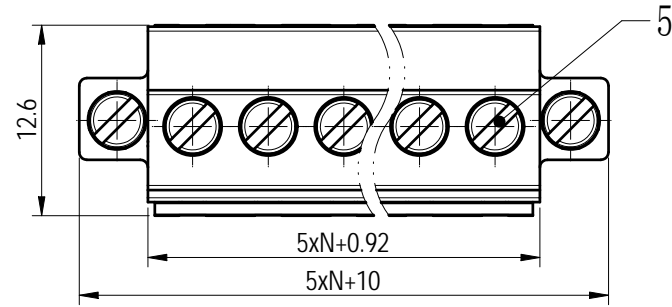
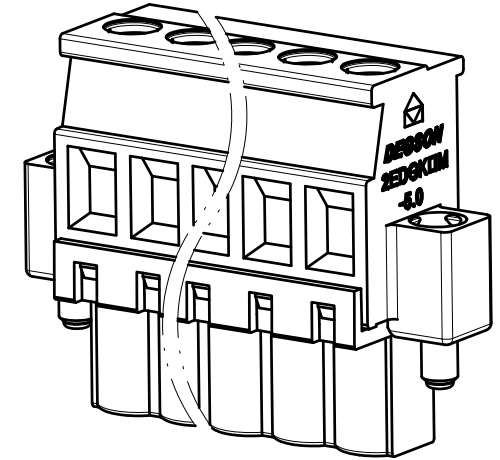


未注公差/General tolerances (mm)													0.1/10 ±2'
0 ~ 3	>3 ~ 6	>6 ~ 10	>10 ~ 18	>18 ~ 30	>30 ~ 50	>50 ~ 80	>80 ~ 120	>120 ~ 180	>180 ~ 250	>250 ~ 315	>315 ~ 400	>400 ~ 500	
±0.12	±0.18	±0.22	±0.26	±0.31	±0.37	±0.57	±0.80	±0.93	±1.05	±1.15	±1.60	±2.20	±2.50



02P: Clasp on the left from this view



Note:
The A&Z(H) in the name means: A(H) and Z(H).

ITEM	NAME OF PART	MATERIAL	NOTES	
6	Screw 2	Steel	M2.5/Zn Plated	
5	Screw 1	Steel	M3/Zn Plated	
4	Clamp	Copper alloy	Sn Plated	
3	Cage	Copper alloy	M3/Ni Plated	
2	Cover	PA66	UL94V-0	
1	Housing	PA66	UL94V-0	
UL 标准/UL Standard:		B	C	D
额定电压/电流/Rated Voltage(V)/Current(A)		300/15	/	300/10
IEC 标准/IEC Standard:				
过压类别/Ovenvoltage Category/污染等级/Pollution Degree		III/3	III/2	II/2
额定电压/电流/Rated Voltage(V)/Current(A)		/	320/18	/
额定脉冲电压(KV)/Rate Impulse Voltage(KV)		/	4	/
螺丝扭矩/Torque Tightening(N·m/Lb.in)		M3, 0.59/5.16		
线径范围(硬线和软线)/Wire Range(rigid and flexible)(AWG/mm²)		28~12/ 1.0~2.5		
间距/Pitch(mm)/线数范围/Poles		5.0/N=02~24P		
剥线长度/Stripping length(mm)		7		
使用温度范围/Operating temperature(°C)		-40~+105		
符合RoHS环保要求/Conform to RoHS		Yes		

		MATERIAL:	SURFACE/COLOR:		
APPD: 兰春华 2022.12.16		MAT NO./REV: - / 00	MAT STATUS: 批量		
CHKD: 龚耀志 2022.12.16		NAME 2EDGKBM-5.0-XXP-1Y-1000A&Z(H)			
DRFT: 朱岳鹏 2022.12.15		DRAWING NO. 200020142	TYPE CUSTOMER DRAWING	DRAWING STATUS 已发布	SCALE 2:1
REV		ECN	DESCRIPTION	DRFT	DATE
00				朱岳鹏	2022.12.15

REV	ECN	DESCRIPTION	DRFT	DATE
00			朱岳鹏	2022.12.15

Transfer or duplication of this document as well as the utilization or communication of its content are prohibited unless expressly permitted. All rights reserved for patent, utility model or design registrations. 除专利、实用新型、外观设计注册外，其他内容均受法律保护。未经许可，不得复制或传播。 兰岳鹏 2022.12.15