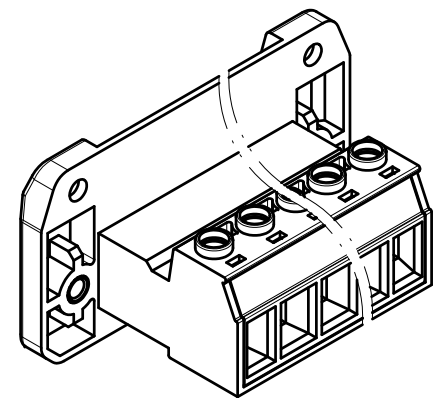
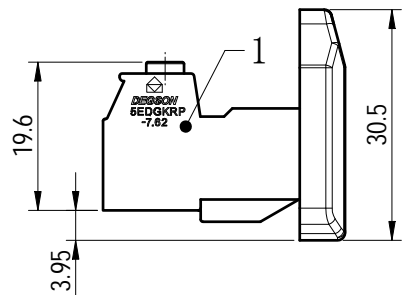
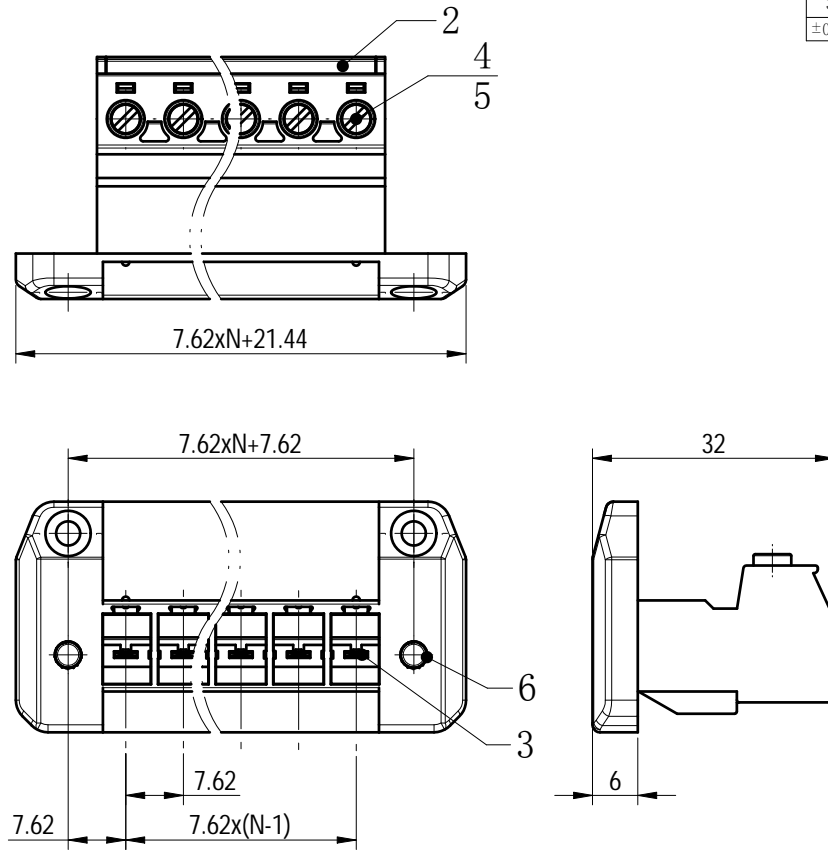


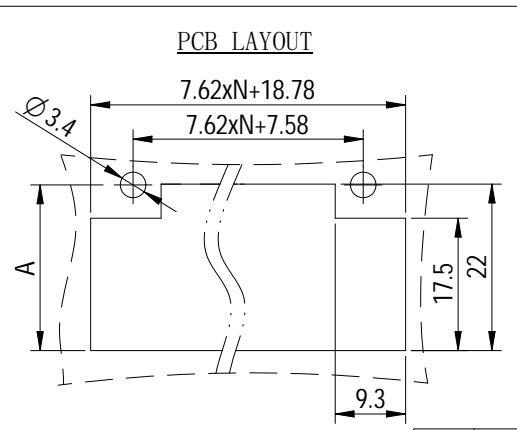
Transfer or duplication of this document, as well as the utilization or communication of the contents are prohibited without the written authorization of the copyright holder. All rights reserved for patent, utility model or design registrations. 非经书面授权, 复制或传播、复制、分发本文档的内容, 或使用其中的内容, 均属于侵权行为。本公司保留对涉及发明、实用新型和外观设计的所有权利。

未注公差/General tolerances (mm)													0.1/10	
0 ~ 3	>3 ~ 6	>6 ~ 10	>10 ~ 18	>18 ~ 30	>30 ~ 50	>50 ~ 80	>80 ~ 120	>120 ~ 180	>180 ~ 250	>250 ~ 315	>315 ~ 400	>400 ~ 500		>500
±0.12	±0.18	±0.22	±0.26	±0.31	±0.37	±0.57	±0.80	±0.93	±1.05	±1.15	±1.60	±2.20	±2.50	±2'



Note:
The A&Z(H) in the name means: A(H) and Z(H).

ITEM	NAME OF PART	MATERIAL	NOTES
6	Screw Cap	Copper Alloy	/
5	Cage	Copper Alloy	M3/Ni Plated
4	Screw	Steel	M3/Zn Plated
3	Pin Header	Copper	Sn Plated
2	Cover	PA66	UL94V-0
1	Housing	PA66	UL94V-0



UL 标准/UL Standard:	B	C	D
额定电压/电流/Rated Voltage(V)/Current(A)	300/35	300/35	600/5
IEC 标准/IEC Standard:			
过压类别/Overvoltage Category/污染等级/Pollution Degree	III/3	III/2	II/2
额定电压/电流/Rated Voltage(V)/Current(A)	400/20	630/20	1000/20
额定脉冲电压(KV)/Rate Impulse Voltage(KV)	6	6	6
螺丝扭矩/Torque Tightening(N·m/Lb.in)	M3, 0.5/4.5		
线径范围(硬线和软线)/Wire Range(rigid and flexible)(AWG/mm²)	30~10/ 0.2~4		
间距/Pitch(mm)/线数范围/Poles	7.62/N=02~12P		
剥线长度/Stripping length(mm)	7~8		
使用温度范围/Operating temperature(°C)	-40~+105		
符合RoHS环保要求/Conform to RoHS	Yes		

DEGSON		MATERIAL:	SURFACE/COLOR:
APPD: 兰春华	2022.08.30	MAT NO./REV: - / 00	MAT STATUS: 批量
CHKD: 龚耀志	2022.08.29	NAME: 5EDGKRP-7.62-XXP-1Y-00A&Z(H)	
DRFT: 朱岳鹏	2022.08.29	DRAWING NO. 200048770	TYPE: CUSTOMER DRAWING
		DRAWING STATUS: 已发布	SCALE: 1:1
			SHEET: 1/1

A	21.4	21.9	22.5	23.1	23.7	00	REV	ECN	DESCRIPTION	DRFT	DATE
W(Board thickness)	1	2	3	4	5						