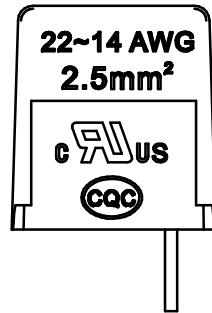
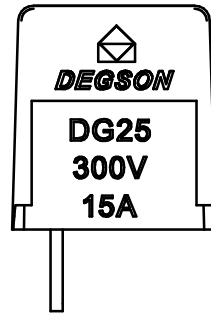
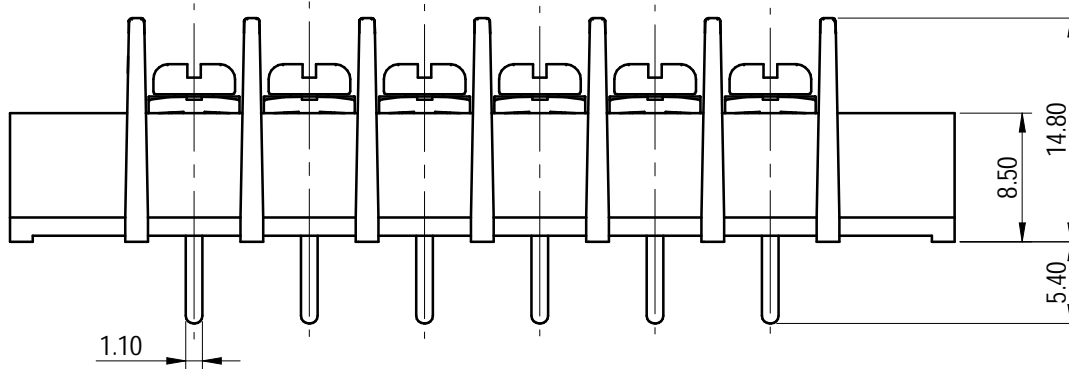
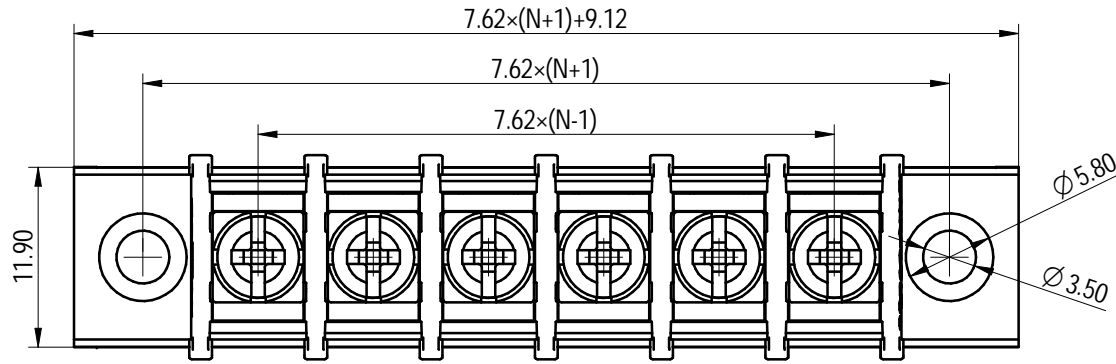


Transfer or duplication of this document as well as the utilization or communication of its contents are prohibited unless authorized in writing by Degson. All rights reserved for patent, utility model or design registrations. 除专利、实用新型、外观设计、发明专利、软件著作权、集成电路布图设计专有权、域名权、商标权、著作权等知识产权外，其他权利均归德松公司所有。



Pitch range in mm		Nominal dimension range in mm					-	∩	∇
TO	Over	Over	TO	Over	Over	Over	Over	0.1/10	
6	10	24	30	60	100	150	150	∠	
±0.15	±0.20	±0.30	±0.30	±0.50	±0.70	±1.00	±1.30	±2°	

Note: The A&Z(H) in the name means :A(H) and Z(H).

ITEM	NAME OF PART	MATERIAL	NOTES
3	Screw	Steel	M3/Zn Plated
2	Pin header	Copper alloy	Sn Plated
1	Housing	PA66	UL94V-0

UL 标准/UL Standard:	B	C	D
额定电压/电流/Rated Voltage(V)/Current(A)	300V/15	/	/
螺丝扭矩/Torque Tightening(N·m/Lb.in)	M3, 0.5/4.43		
线径范围(硬线和软线)/Wire Range(rigid and flexible)(AWG/mm²)	22~14		
间距/Pitch(mm)/线数范围/Poles	7.62/N=02~24P		
使用温度范围/Operating temperature(°C)	-40~+105		
符合 RoHS 环保要求/Conform to RoHS	Yes		

<b>DEGSON</b>		MATERIAL: /	SURFACE/COLOR: /		
APPD: 核准人	核准日期	MAT NO./REV: -	MAT STATUS: /		
CHKD: 审核人	审核日期	NAME			
DRFT: 设计人	设计日期	DG25S-A-XXP-13-00A&Z(H)			
④	④ A4	DRAWING NO. 200067448	TYPE CUSTOMER DRAWING	DRAWING STATUS /	SCALE 2:1 SHEET 1/1

REV	ECN	DESCRIPTION	DRFT	DATE
00	/	/	/	/