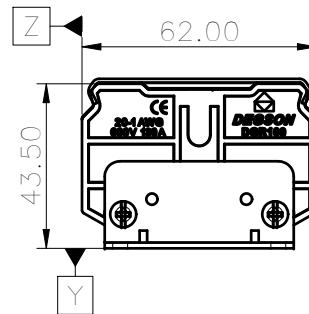
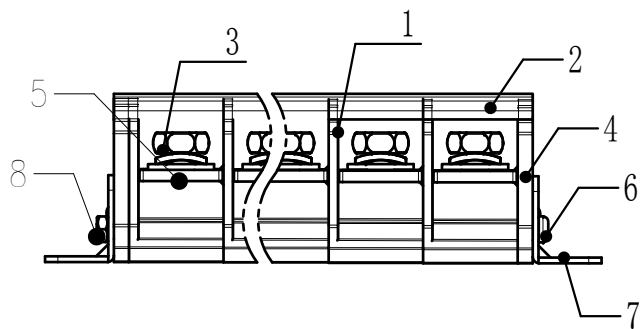
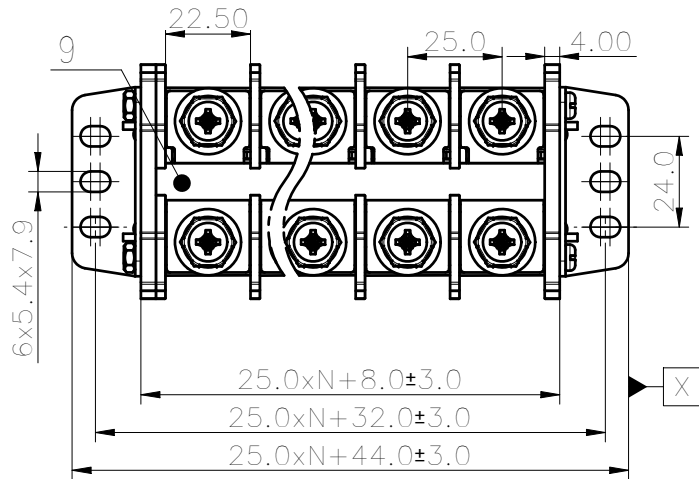


未注公差/General tolerances(mm)														
0	>3	>6	>10	>18	>30	>50	>80	>120	>180	>250	>315	>400	0.1/10	
~3	~6	~10	~18	~30	~50	~80	~120	~180	~250	~315	~400	~500		
±0.12	±0.18	±0.22	±0.26	±0.31	±0.37	±0.57	±0.80	±0.93	±1.05	±1.15	±1.60	±2.20	±2.50	±2'

UL 额定电压电流/Rated Voltage/Current	600V/130A(B/C)
UL 工频耐压/R.M.S withstand voltage	AC2200V/1Min
线径范围/Wire range(AWG)	20~1
线数范围/Poles	N=01~16P
螺丝扭矩/Tightening torque(N·m/Lb.in)	M8, 6.7/60.0
线径范围/Wire Range	20~2/0.5~35
使用温度范围/Operating temperature(°C)	-40~+125
剥线长度/Stripping length(mm)	17~18
符合 RoHS 环保要求/Conform to RoHS	Yes

(Without cover)



Note: The A&Z(H) in the name means: A(H) and Z(H).

ITEM	NAME OF PART	MATERIAL	NOTES
9	Tag	PVC	UL94V-0
8	Nut	Steel	Zn Plated
7	Fastener	Steel	Zn Plated
6	Connect pillar	Steel	Zn Plated
5	Current carrier	Copper alloy	Ni Plated
4	Housing2	PC	UL94V-0
3	Screw	Steel	Zn Plated/M8
2	Cover	PC	UL94V-2
1	Housing1	PC	UL94V-0

		MATERIAL:	SURFACE:	
APPD: 彭敏	2024.11.25	MAT NO./REV: / 00	MAT STATUS: 批量	
CHKD: 曹利彬	2024.11.25	NAME		
DRFT: 姜民洁	2024.11.25	DGR100-XXP-1Y-20A&Z(H)		
REV	ECN	DRAWING NO.	TYPE	DRAWING STATUS
00		200009757	CUSTOMER DRAWING	已发布
		SCALE	1:2	SHEET
				1/1

REV	ECN	DESCRIPTION	DRFT	DATE
00				

Transfer or duplication of this document as well as the utilization or communication of its contents are prohibited unless explicit authorization is granted. All rights reserved for patent, utility model or design registrations. 非经书面授权, 严禁禁止转让、复制、利用、交加本文件的内容, 一经发现负法律责任, 侵权者保留对涉及发明、实用新型和外观设计的所有权利。