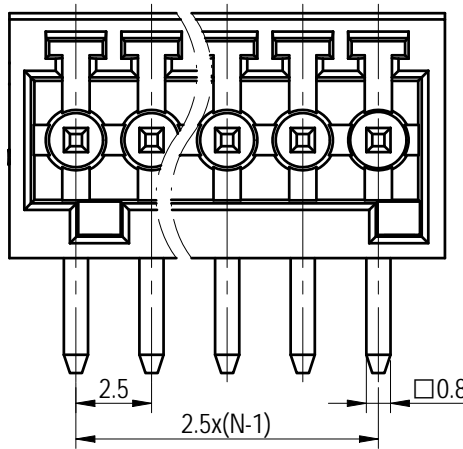
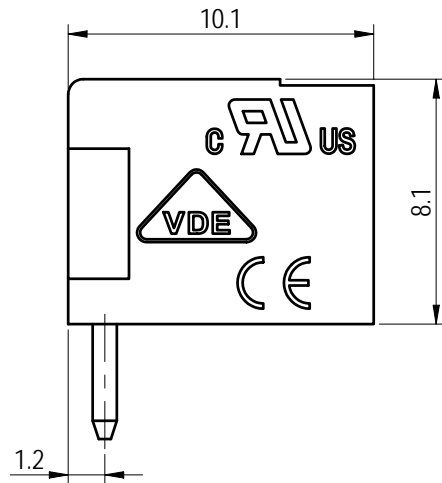
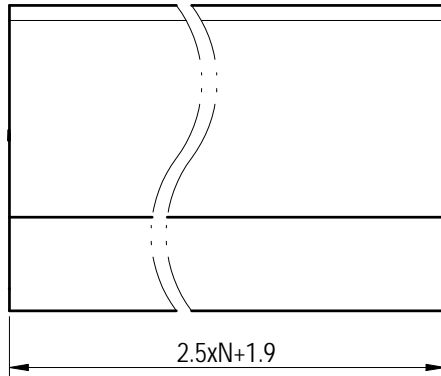
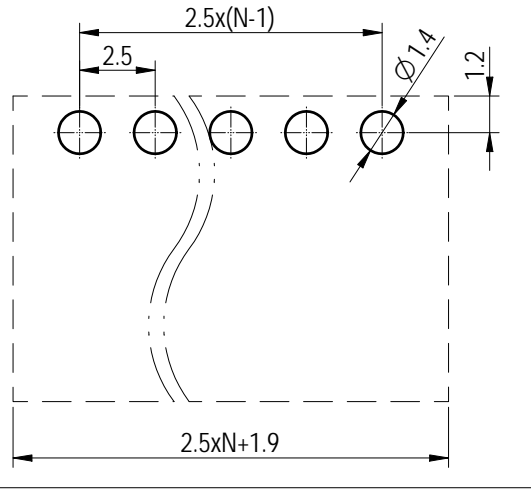
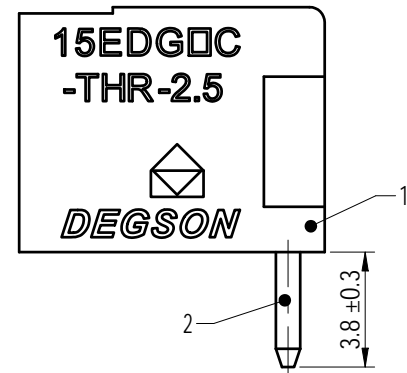
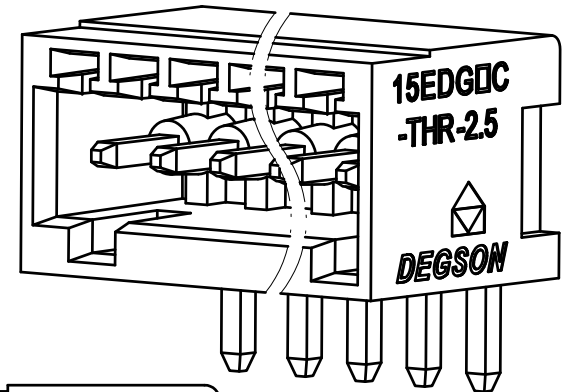


PCB LAYOUT



未注公差/General tolerances (mm)											0.1/10			
0 ~ 3	>3 ~ 6	>6 ~ 10	>10 ~ 18	>18 ~ 30	>30 ~ 50	>50 ~ 80	>80 ~ 120	>120 ~ 180	>180 ~ 250	>250 ~ 315	>315 ~ 400	>400 ~ 500	>500	0.1/10
±0.12	±0.18	±0.22	±0.26	±0.31	±0.37	±0.57	±0.80	±0.93	±1.05	±1.15	±1.60	±2.20	±2.50	

UL 标准/UL Standard:	B	C	D
额定电压/电流/Rated Voltage(V)/Current(A)	150/4	/	/
IEC 标准/IEC Standard:			
过压类别/Overvoltage Category/污染等级/Pollution Degree	III/3	III/2	II/2
额定电压/电流/Rated Voltage(V)/Current(A)	/	/	250/5
额定脉冲电压(KV)/Rate Impulse Voltage(KV)	/	/	2.5
间距/Pitch(mm)/线数范围/Poles	2.5/N=02~12P		
使用温度范围/Operating temperature(°C)	-40~+130		
符合RoHS环保要求/Conform to RoHS	Yes		



ITEM	NAME OF PART	MATERIAL	NOTES
2	Pin	Copper	Sn Plated
1	Housing	Thermoplastic	UL94V-0

DEGSON		MATERIAL:	SURFACE/COLOR:
APPD: 兰春华	2024.12.09	MAT NO./REV: - / 00	MAT STATUS: 批量
CHKD: 龚耀志	2024.12.05	NAME: 15EDGRC-THR-2.5-XXP-1Y-10A&Z(H)	
DRFT: 方哲盛	2024.12.05	DRAWING NO. 200322987	TYPE CUSTOMER DRAWING
		DRAWING STATUS 已发布	SCALE 4:1
		SHEET 1/1	

REV	ECN	DESCRIPTION	DRFT	DATE
00			方哲盛	2024.12.05

Transfer or duplication of this document as well as the utilization or communication of its contents are prohibited unless authorized in writing by DEGSON. All rights reserved for patent, utility model or design registrations. 除专利权明确标注外, 其他内容均受法律保护。未经 DEGSON 书面许可, 不得复制或传播。所有权利保留, 未经许可, 不得擅自复制或传播。