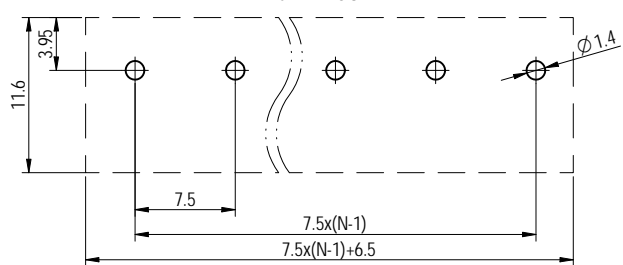
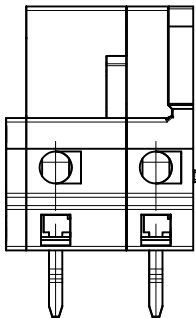
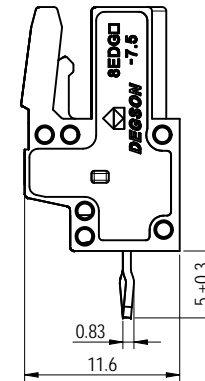
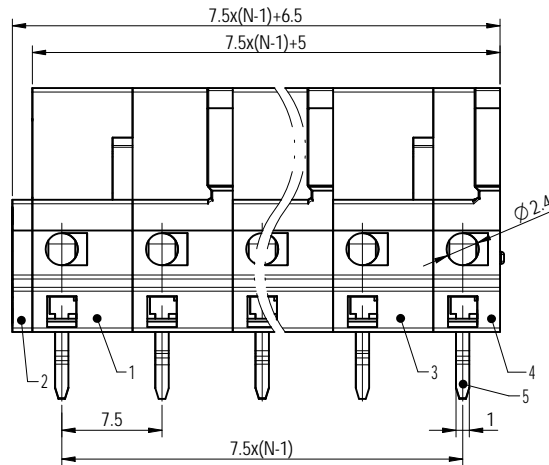
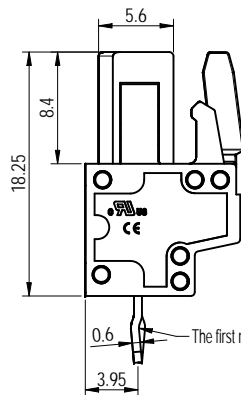
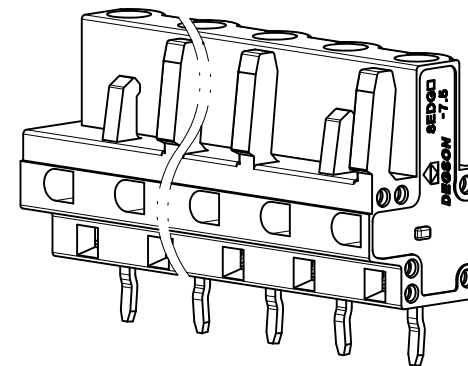
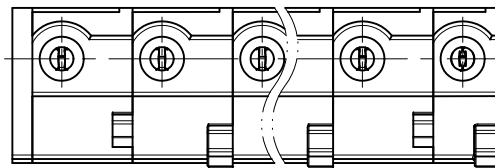


PCB LAYOUT

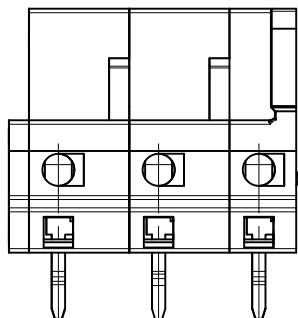


Notes: Pin headers should be bent after assembled

公差/General tolerances (mm)											0.1/10		
0	>3	>6	>10	>18	>30	>50	>80	>120	>180	>250	>315	>400	1/2
±0.12	±0.18	±0.22	±0.26	±0.31	±0.37	±0.57	±0.80	±0.93	±1.05	±1.15	±1.60	±2.20	



02P



03P

UL 标准/UL Standard:	B	C	D
额定电压/电压/Rated Voltage(V)/Current(A)	300/15	/	300/10
IEC 标准/IEC Standard:			
过压类别/Overvoltage Category/污染等级/Pollution Degree	III/3	III/2	II/2
额定电压/电压/Rated Voltage(V)/Current(A)	320/20	/	/
额定脉冲电压(KV)/Rate Impulse Voltage(KV)	4	/	/
间距/Pitch(mm)/线数范围/Poles	7.5/N=02~12P		
使用温度范围/Operating temperature(°C)	-40~+105		
符合RoHS环保要求/Conform to RoHS	Yes		
5	Clamp	Copper	Sn Plated
4	Side Housing	PA66	UL94V-0
3	Housing 2	PA66	UL94V-0
2	Cover	PA66	UL94V-0
1	Housing 1	PA66	UL94V-0
ITEM	NAME OF PART	MATERIAL	NOTES

DEGSON		MATERIAL:	SURFACE/COLOR: PANTONE 7350	
APPD: 竺春华	2024.12.05	NAME:	8EDGB-7.5-XXP-11-01A&Z(H)	
CHKD: 黄耀志	2024.12.05	MAT NO./REV: -	/	00
DRFT: 方哲盛	2024.12.05	MAT STATUS:	批量	
00	ECN	DESCRIPTION	方哲盛	2024.12.05
REV	ECN	DESCRIPTION	DRFT	DATE
A3		200322639	TYPE	CUSTOMER DRAWING
1/1		2.5:1	DRAWING STATUS	已发布

00	ECN	DESCRIPTION	方哲盛	2024.12.05
REV	ECN	DESCRIPTION	DRFT	DATE

Transfer or duplication of this document as well as the utilization of its contents without the written consent of DEGSON is prohibited. All rights reserved for patent. 未经授权复制或传播本文件以及未经许可使用其内容均被禁止。所有权利保留。