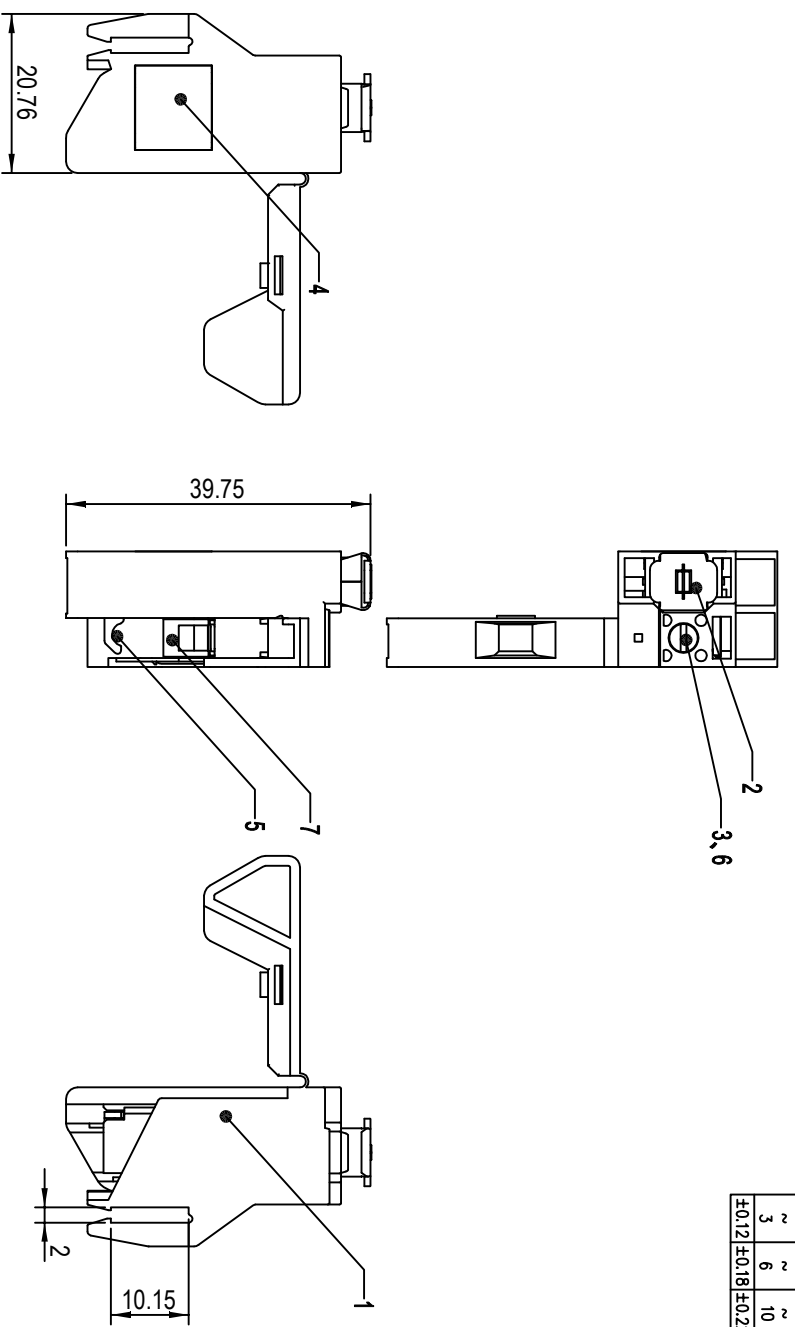


公差/General tolerances(mm)		0.1/10
0	>3	~
3	6	~
±0.12	±0.18	±0.22
±0.26	±0.31	±0.37
±0.43	±0.57	±0.80
±1.05	±1.15	±1.60
±2.50	±2.20	±2.50
±2	±2	±2



Note: The A&Z (H) in the name means: A(H) and Z(H).

ITEM	NAME OF PART	MATERIAL	NOTES
1	Housing	PA66	UL94V-0
2	Fuse Holder	PA66	UL94V-0
3	Screw	COPPER ALLOY	Ni Plated
4	Cover	PA66	UL94V-0
5	Pin Header	COPPER ALLOY	Sn Plated
6	Current Carrier	COPPER ALLOY	Sn Plated
7	Cage	COPPER ALLOY	Ni Plated

UL 标准/UL Standard:	B	C	D
额定电压/Rated Voltage(V)/Current(A)	600/10	600/10	/
IEC 标准/IEC Standard:			
额定电压/Rated Voltage(V)/Current(A)	750/10		
螺丝扭矩/Torque Tightening(N·m/Lb·in)	M3: 0.5/4.43		
线径范围(硬线和软线)/Wire Range (rigid and flexible)(AWG/mm ²)	30~12 / 1.0~2.5		
剥线长度/Stripping length(mm)	7~8		
使用温度范围/Operating temperature(°C)	-40~+105		
符合RoHS环保要求/Conform to RoHS	Yes		



MATERIAL: /	SURFACE/COLOR: /
MAT NO./REV: /	MAT STATUS: /

APPR: 核准人	核准日期	NAME
CMDD: 审核人 <td>审核日期</td> <td></td>	审核日期	
DRFT: 设计人	设计日期	
REV: 00	REV: /	DRWING NO: 200322848
EON	EON	TYPE: CUSTOMER DRAWING
DESCRIPTION	DRFT	DATE
SCALE: 1:1		DRWING STATUS: /
		SHEET: 1/1

1 2 3 4 5 6