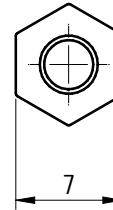
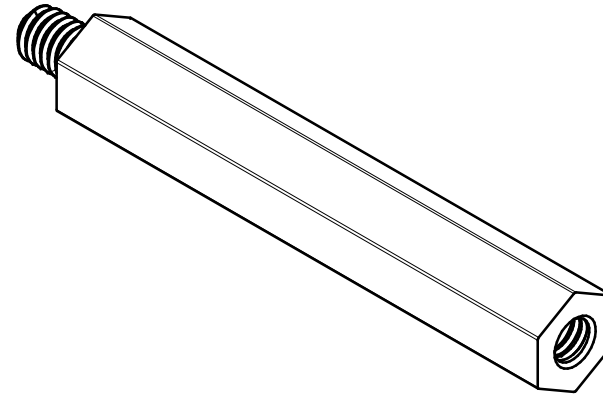
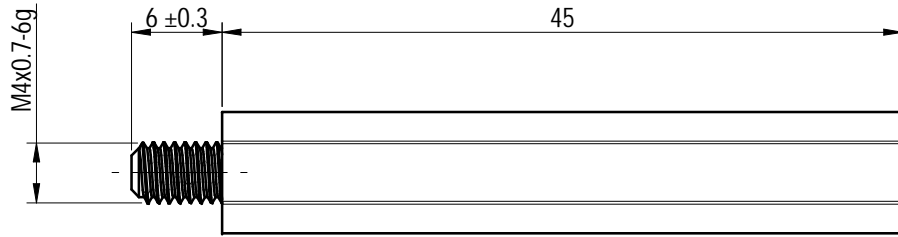


| 未注公差/General tolerances (mm) | | | | | | | | | | | 0.1/10 | | | |
|------------------------------|--------|---------|----------|----------|----------|----------|-----------|------------|------------|------------|--------|------------|------------|------|
| 0 ~ 3 | >3 ~ 6 | >6 ~ 10 | >10 ~ 18 | >18 ~ 30 | >30 ~ 50 | >50 ~ 80 | >80 ~ 120 | >120 ~ 180 | >180 ~ 250 | >250 ~ 315 | | >315 ~ 400 | >400 ~ 500 | >500 |
| ±0.12 | ±0.18 | ±0.22 | ±0.26 | ±0.31 | ±0.37 | ±0.57 | ±0.80 | ±0.93 | ±1.05 | ±1.15 | ±1.60 | ±2.20 | ±2.50 | ±2' |



Note: The A&Z(H) in the name means :A(H) and Z(H)

| 1 | Housing | PA66+10%GF | UL94V-0 |
|------|--------------|------------|-----------|
| | Screw | Steel | Ni plated |
| ITEM | NAME OF PART | MATERIAL | NOTES |

| | |
|-------------------------------------|-------------|
| 螺丝扭矩/Torque Tightening(N · m/Lb.in) | M4, 0.8/7.0 |
| 使用温度范围/Operating temperature(° C) | -40~+65 |
| 符合 RoHS 环保要求/Conform to RoHS | Yes |

| | | | | |
|----------------|------------------|-----------------------|------------------|---------------|
| DEGSON | | MATERIAL: / | SURFACE/COLOR: / | |
| APPD: 核准人 核准日期 | | MAT NO./REV: / / 版本 | | MAT STATUS: / |
| CHKD: 审核人 审核日期 | | NAME | | |
| DRFT: 设计人 设计日期 | | DG006-01P-1Y-00A&Z(H) | | |
| DRAWING NO. | TYPE | DRAWING STATUS | SCALE | SHEET |
| 200322071 | CUSTOMER DRAWING | / | 2:1 | 1/1 |

| 00 | / | / | / | / |
|-----|-----|-------------|------|------|
| REV | ECN | DESCRIPTION | DRFT | DATE |

Transfer or duplication of this document as well as the utilization or communication of its contents are prohibited unless authorized in writing by Degson. All rights reserved for patent, utility model or design registrations. 除专利权明确授权, 否则禁止转让、复制、引用、充诸本文件的存储、使用、复制或再行传播。本公司保留所有权利。