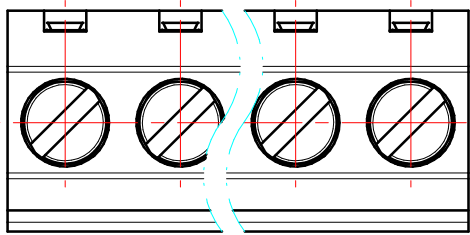
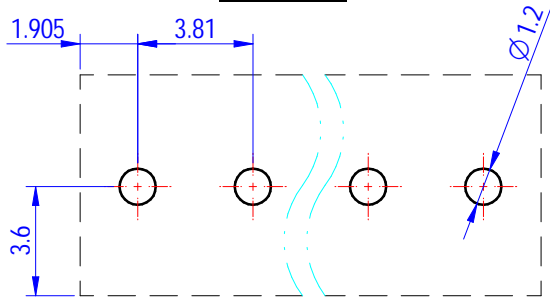
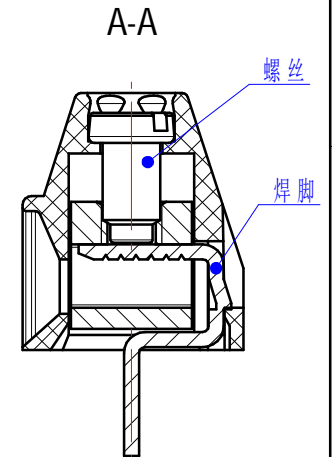
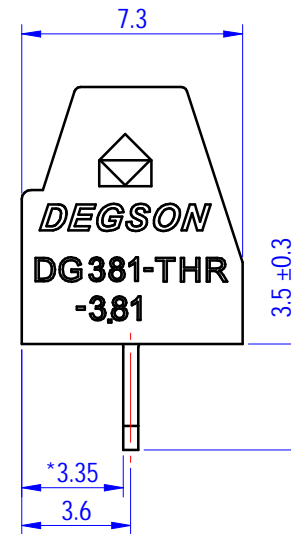
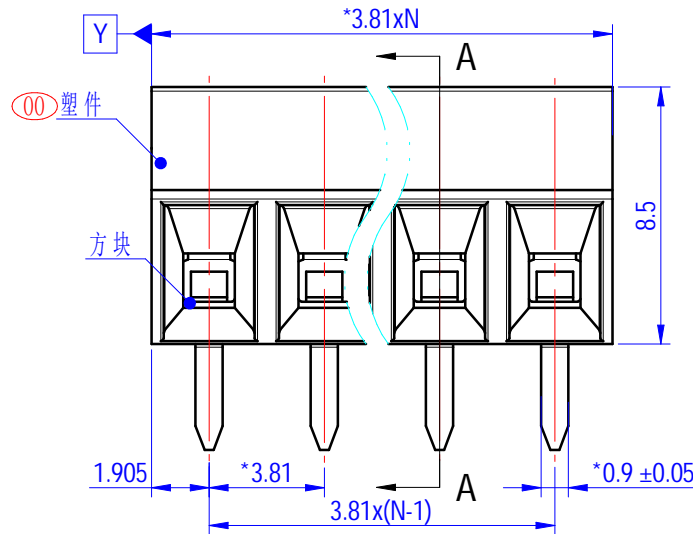
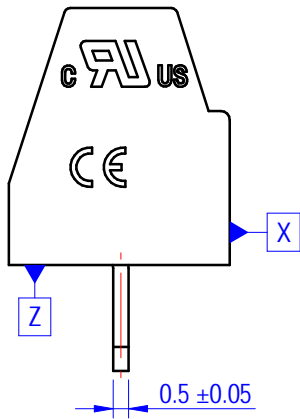


PCB LAYOUT



| | |
|--|-------------------|
| UL 额定电压/Rated Voltage/Current | 150V/10A(B) |
| UL 工频耐压/R.M.S withstand voltage | AC1300V/1Min |
| IEC 额定电压/Rated Voltage/Current | 200V/13.5A(III/2) |
| 额定脉冲电压/Rate Impulse Voltage(KV) | 2.5 |
| 线径范围/Wire range(AWG/mm ²) | 30~16/0.2~1.5 |
| 线数范围/Poles | N=02~08P |
| 重点管控符号/Key controlled symbol | * |
| 螺丝扭矩/Tightening torque(N·m/Lb.in) | M2, 0.2/1.77 |
| 螺丝需松紧一次/Screw tightening once | 无卡死/No jammed |
| 使用温度范围/Operating temperature(°C) | -40~+130 |
| 剥线长度/Stripping length(mm) | 5~6 |
| 与-00A 区分/Differentiation from-00A: 散装 | |

| P距方向公差(mm) | | | 其他尺寸公差(mm) | | | | — | ∩ | ∟ |
|------------|--------|---------|------------|---------|----------|-------|---------|-----|---|
| ≤6 | 6 ~ 10 | 10 ~ 24 | ≤30 | 30 ~ 60 | 60 ~ 100 | >150 | 0.05/10 | ∠ | |
| ±0.10 | ±0.15 | ±0.25 | ±0.20 | ±0.30 | ±0.50 | ±0.70 | ±1.00 | ±1° | |



| | | | | | | |
|-----------|------------|---------------------------------|-----------------|----------------|-------|-------|
| | | MATERIAL: | SURFACE/COLOR: | | | |
| | | MAT NO./REV: 10040002116-1 / 00 | MAT STATUS: 批量 | | | |
| APPD: 兰春华 | 2024.08.19 | NAME | | | | |
| CHKD: 陈招 | 2024.08.16 | DG381-THR-3.81-XXP-1Y-10A&Z(H) | | | | |
| DRFT: 唐本恒 | 2024.08.15 | DRAWING NO. | TYPE | DRAWING STATUS | SCALE | SHEET |
| | | 200038044 | PRODUCT DRAWING | 已发布 | 2:1 | 1/1 |

| | | | | |
|-----|-----|------------------------------|------|------------|
| 00 | | 1x T0升00版, 塑件材质更改为PA10T-GP15 | 唐本恒 | 2024.08.15 |
| REV | ECN | DESCRIPTION | DRFT | DATE |

Transfer or duplication of this document as well as the utilization or communication of its contents are prohibited unless authorized in advance. All rights reserved for patent, utility model or design registrations. 除专利、实用新型、外观设计、发明专利、软件著作权、集成电路布图设计专有权、商业秘密和与经营活动有关的知识产权外, 本公司保留所有权利。