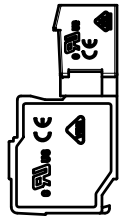
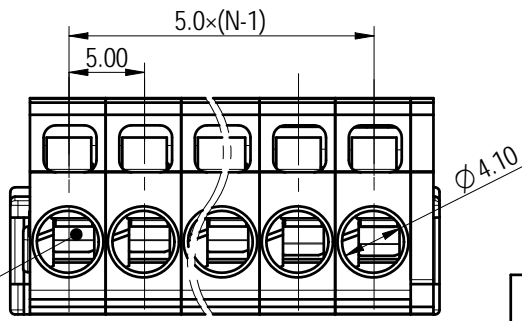
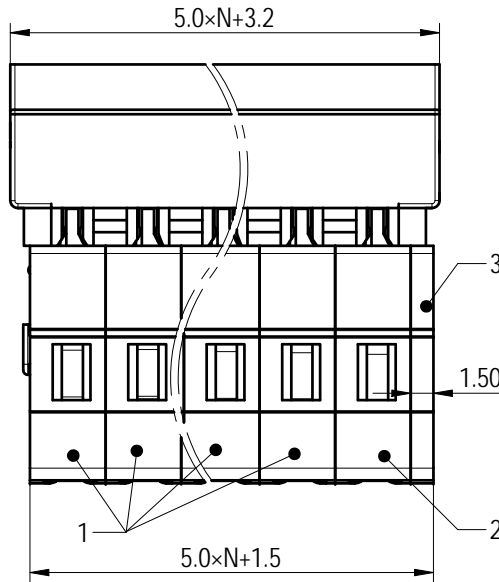
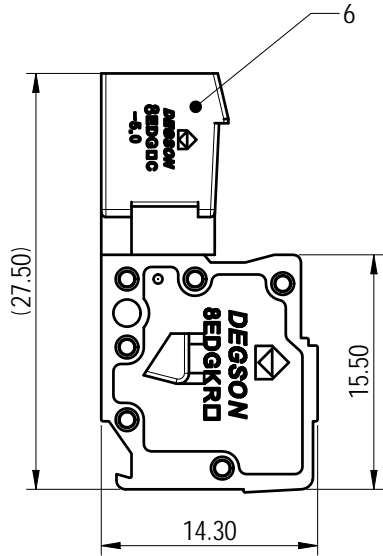
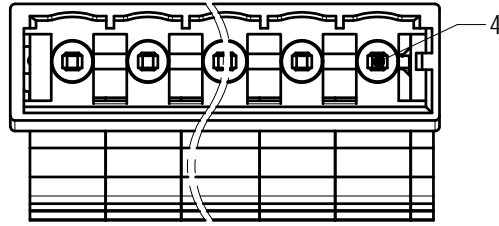


未注公差/General tolerances (mm)													0.1/10	
0	>3	>6	>10	>18	>30	>50	>80	>120	>180	>250	>315	>400		>500
±0.12	±0.18	±0.22	±0.26	±0.31	±0.37	±0.57	±0.80	±0.93	±1.05	±1.15	±1.60	±2.20	±2.50	±2'



Note: The A&Z(H) in the name means: A(H) and Z(H).

ITEM	NAME OF PART	MATERIAL	NOTES
6	Housing2	PA66	UL94V-0
5	Spring	Stainless Steel	/
4	Pin	Copper	Sn Plated
3	Cover	PA66	UL94V-0
2	Side Housing	PA66	UL94V-0
1	Housing1	PA66	UL94V-0

UL 标准/UL Standard:	B	C	D
额定电压/电流/Rated Voltage(V)/Current(A)	300/15	/	300/10
IEC 标准/IEC Standard:			
过压类别/Overvoltage Category/污染等级/Pollution Degree	III/3	III/2	II/2
额定电压/电流/Rated Voltage(V)/Current(A)	320/20	/	/
额定脉冲电压(KV)/Rate Impulse Voltage(KV)	4	/	/
线径范围(硬线和软线)/Wire Range(rigid and flexible)(AWG/m)	22~14 / 0.2~2.5		
间距/Pitch(mm)/线数范围/Poles	5.0/N=02~24P		
使用温度范围/Operating temperature(°C)	-40~+105		
符合RoHS环保要求/Conform to RoHS	Yes		

DEGSON		MATERIAL:	SURFACE/COLOR: PAYTONE 428C		
APPD: 蓝贵凡 2022.12.19		MAT NO./REV:	/ 00 MAT STATUS: 批量		
CHKD: 曹利彬 2022.12.19		NAME			
DRFT: 孙科豪 2022.12.19		8EDGKR-5.0-XXP-1Y-01A&Z(H)			
DRAWING NO. 200120372		TYPE	DRAWING STATUS	SCALE	SHEET
A4		CUSTOMER DRAWING	已发布	2:1	1/1

REV	ECN	DESCRIPTION	DRFT	DATE
00				

Transfer or duplication of this document as well as the utilization or communication of its content are prohibited unless authorized in writing by Degson. All rights reserved for patent. 除专利等明确标注外，其他标注均非强制性。未经授权，不得复制或传播。 除专利等明确标注外，其他标注均非强制性。 除专利等明确标注外，其他标注均非强制性。