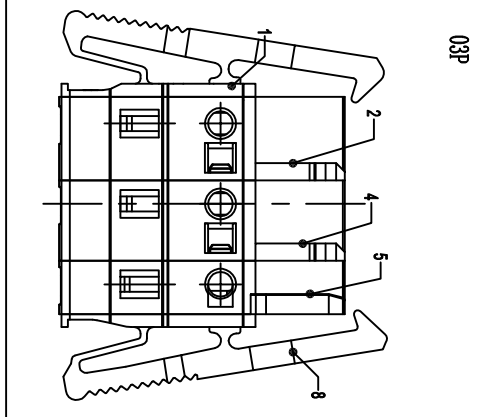
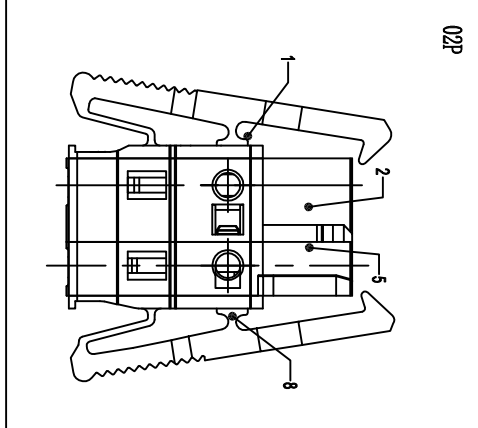
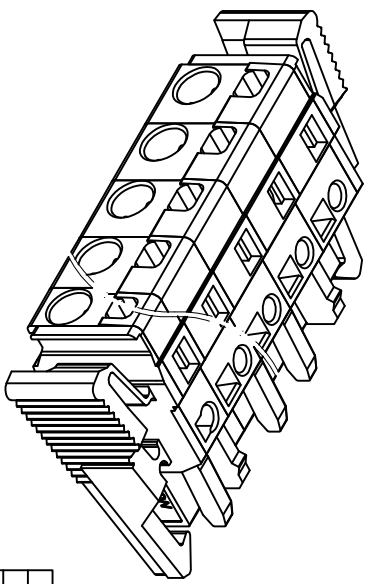
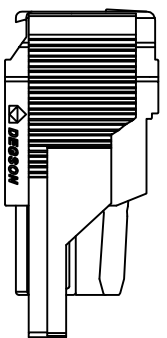
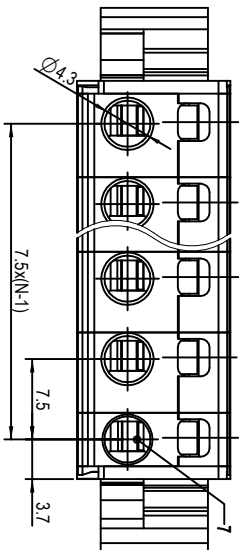
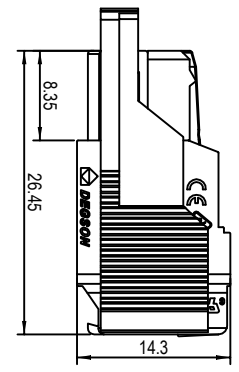
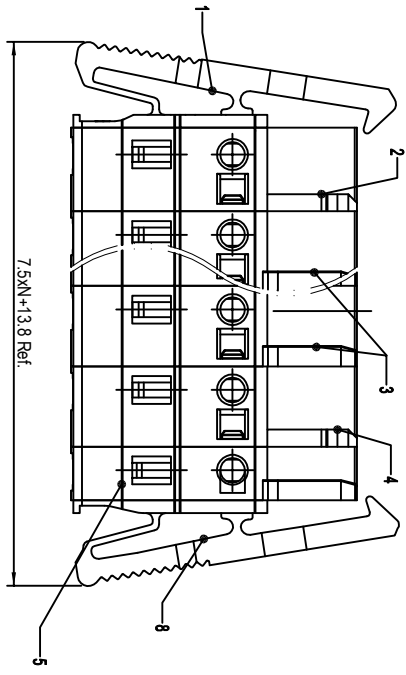
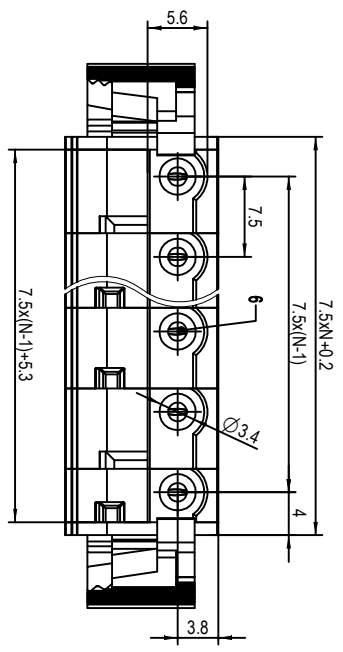


0	>0	>10	>18	>30	>50	>80	>120	>180	>250	>315	>400	>500	0.1/10
1	2	3	4	5	6	7	8	9	10	11	12	13	14



REV	EQ	ECN	REV	EQ	ECN	REV	EQ	ECN
1x. 规格名称, 规格描述 DESCRIPTION			规格号 PART			2023.11.23 DATE		
2023.11.23			2023.11.23			2023.11.23		
200021590			200021590			200021590		
DRAWING NO.			DRAWING NO.			DRAWING NO.		
200021590			200021590			200021590		
TITLE			TITLE			TITLE		
CUSTOMER DRAWING			CUSTOMER DRAWING			CUSTOMER DRAWING		
SCALE			SCALE			SCALE		
1/1			1/1			1/1		
SHEET			SHEET			SHEET		
1/1			1/1			1/1		

		2023.11.23 2023.11.23 2023.11.23	
200021590		200021590	
DRAWING NO.		DRAWING NO.	
200021590		200021590	
TITLE		TITLE	
CUSTOMER DRAWING		CUSTOMER DRAWING	
SCALE		SCALE	
1/1		1/1	
SHEET		SHEET	
1/1		1/1	

ITEM	NAME OF PART	MATERIAL	NOTES
1	Hook1	P466	UL94V-0
2	Side housing	P466	UL94V-0
3	Mtd housing1	P466	UL94V-0
4	Mtd housing2	P466	UL94V-0
5	End housing1	P466	Sn Plated
6	Clamp	Copper	/
7	Spring	Stainless steel	UL94V-0
8	Hook2	P466	UL94V-0

UL 规格/UL Standard	B	C	0
额定电压/Rated Voltage V/Current(A)	300V/15	300V/15	600V/5
EC 标准/EC Standard	III/3	III/2	II/2
过压类别/Overvoltage Category/污染等级/Pollution Degree	III/3	III/2	II/2
额定电压/电涌/Rated Voltage V/Current(A)	400/20	/	/
额定脉冲电压/电涌/Rated impulse Voltage(kV)	4	/	/
额定浪涌电流/额定浪涌/Max Surge/Inrush and Inrush(AVGS/10ms)	22~44	0.2~2.5	/
额定长度/额定长度/Rated Length/Pairs	7.5(N)-02~12P	/	/
额定长度/Shipping length(mm)	9~10	/	/
使用温度范围/Operation temperature(°C)	-40~+105	/	/
符合RoHS指令要求/Comform to RoHS	Yes	/	/