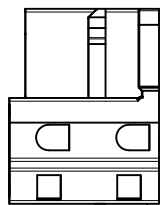
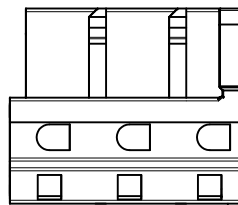


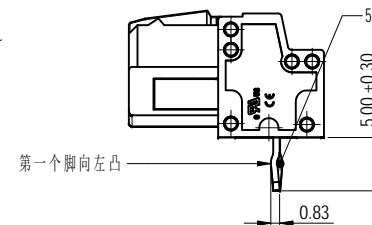
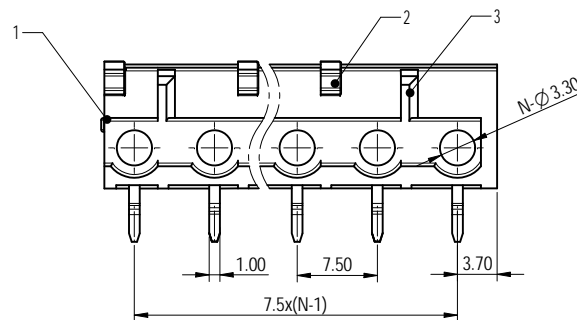
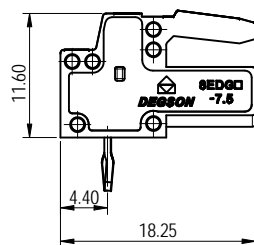
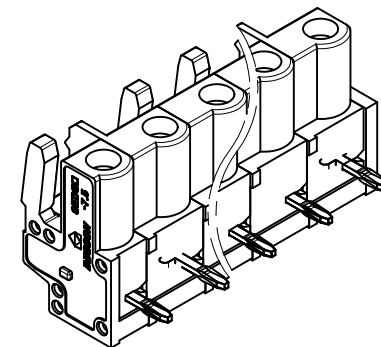
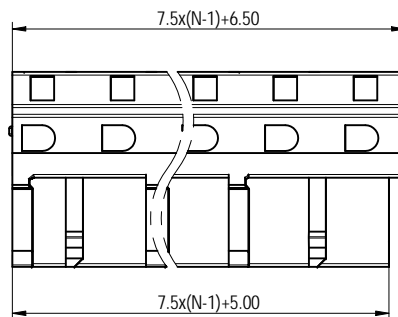
公差/General tolerances(mm)											0.1/10		
0	>3	>6	>10	>18	>30	>50	>80	>120	>180	>250		>315	>400
±0.12	±0.18	±0.22	±0.28	±0.31	±0.37	±0.57	±0.80	±0.93	±1.05	±1.15	±1.60	±2.20	±2.50



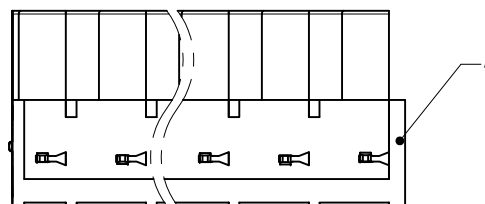
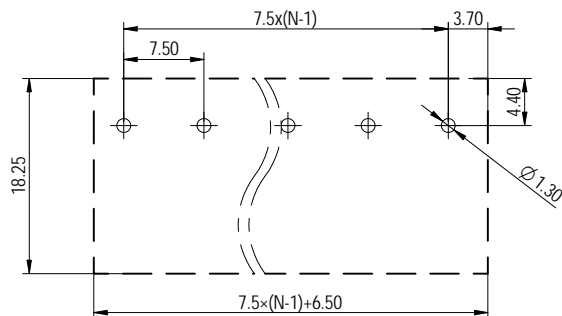
02P



03P



PCB LAYOUT



Note: The A&Z (H) in the name means: A(H) and Z (H).

ITEM	NAME OF PART	MATERIAL	NOTES
5	Clamp	Copper	Sn plated
4	Cover	PA66	UL94V-0
3	Housing2	PA66	UL94V-0
2	Housing1	PA66	UL94V-0
1	Side housing	PA66	UL94V-0

UL 标准/UL Standard:	B	C	D
额定电压/电流/Rated Voltage(V)/Current(A)	300/15	/	300/10
IEC 标准/IEC Standard:			
过压类别/Overvoltage Category/污染等级/Pollution Degree	III/3	III/2	II/2
额定电压/电流/Rated Voltage(V)/Current(A)	320/20	/	/
额定脉冲电压(KV)/Rate Impulse Voltage(KV)	4	/	/
间距/Pitch(mm)/线数范围/Poles	7.5/N=02~12P		
使用温度范围/Operating temperature(°C)	-40~+105		
符合RoHS环保要求/Conform to RoHS	Yes		

**DEGSON** MATERIAL: SURFACE/COLOR: pantone 428C  
 MAT NO./REV: - / 00 MAT STATUS: 批量

NAME: 8EDGC-7.5-XXP-11-01A&Z(H)

APPD: 廖黄凡	2022.12.22	DRAWING NO.	TYPE	DRAWING STATUS	SCALE	SHEET
CHKD: 曹利影	2022.12.22	200114712	CUSTOMER DRAWING	已发布	2:1	1/1
DRFT: 虞伟松	2022.12.21					

REV	ECN	DESCRIPTION	DRFT	DATE
00		由10脚换成3200脚	虞伟松	2022.12.21

Unauthorized duplication or distribution of this document is prohibited. All rights reserved for patent.