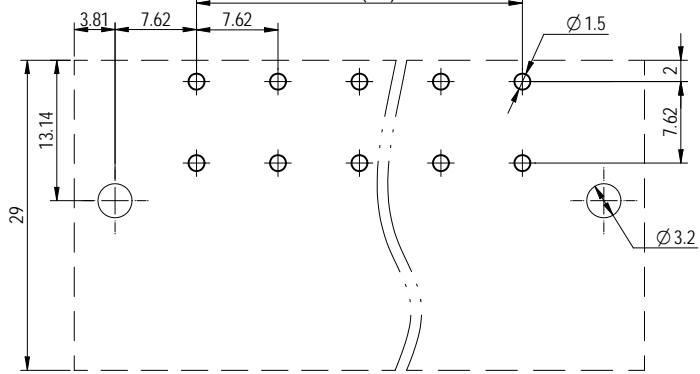
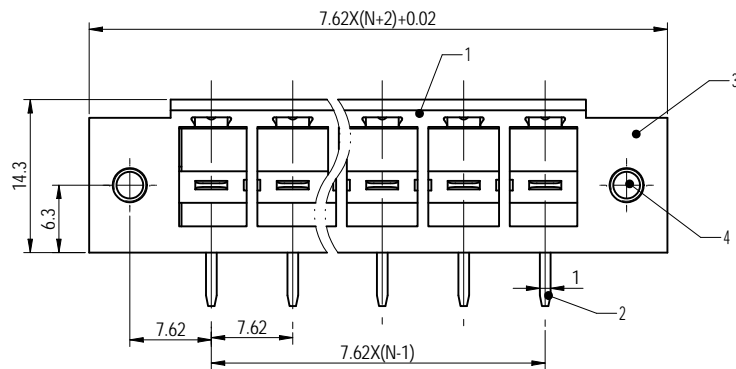
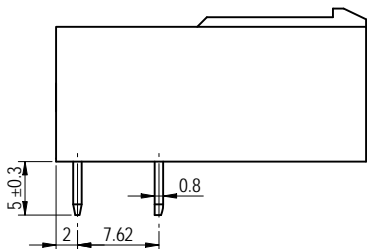
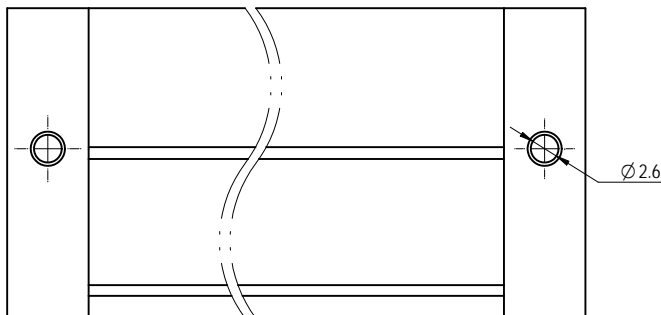
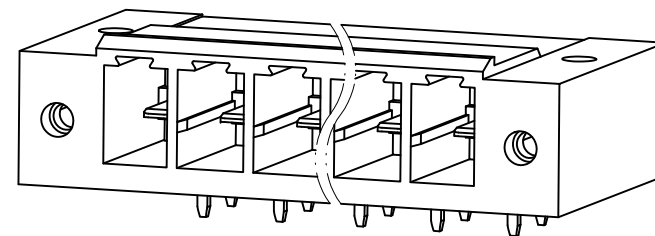


PCB LAYOUT

7.62X(N-1)



公差/General tolerances (mm)													D	
0	>3	>6	>10	>18	>30	>50	>80	>120	>180	>250	>315	>400	>500	0.1/10
~	~	~	~	~	~	~	~	~	~	~	~	~	~	±2
±0.12	±0.18	±0.22	±0.26	±0.31	±0.37	±0.57	±0.80	±0.93	±1.05	±1.15	±1.60	±2.20	±2.50	



Note:  
The A&Z(H) in the name means: A(H) and Z(H).

ITEM	NAME OF PART	MATERIAL	NOTES
4	Square Nut	Steel	Zn Plated
3	Housing2	PBT	UL94V-0
2	Pin header	Copper	Sn Plated
1	Housing	PBT	UL94V-0

UL 标准/UL Standard:	B	C	D
额定电压/电流/Rated Voltage(V)/Current(A)	300/30	300/30	/
IEC 标准/IEC Standard:			
过压类别/Overvoltage Category/污染等级/Pollution Degree	III/3	III/2	II/2
额定电压/电流/Rated Voltage(V)/Current(A)	/	400/32	/
额定脉冲电压(KV)/Rate Impulse Voltage(KV)	/	4	/
间距/Pitch(mm)/线数范围/Poles	7.62/N=02~12P		
使用温度范围/Operating temperature(°C)	-40~+105		
符合RoHS环保要求/Conform to RoHS	Yes		
标准颜色编号/Standard color number: PANTONE / RAL	/		

	MATERIAL:	SURFACE/COLOR:			
	MAT NO./REV: - / 00	MAT STATUS: 批量			
APPD: 兰春华	2022.08.30	NAME: 5EDGRM-7.62-XXP-1Y-00A&Z(H)			
CHKD: 黄耀志	2022.08.29	DRAWING NO. 200019346			
DRFT: 方哲盛	2022.08.29	TYPE: CUSTOMER DRAWING	DRAWING STATUS: 已发布	SCALE: 2:1	SHEET: 1/1

REV	ECN	DESCRIPTION	DRFT	DATE
00			方哲盛	2022.08.29

Transfer or duplication of this document as well as the utilization or reproduction of its contents without the written permission of Digson Electronics Co., Ltd. is prohibited. All rights reserved for patent. 此文件及其中之内容之复制或再行使用，未经Digson Electronics Co., Ltd.书面同意，均属侵权行为。Digson Electronics Co., Ltd.保留所有权利。未经许可，不得复制或再行使用此文件及其中之内容。