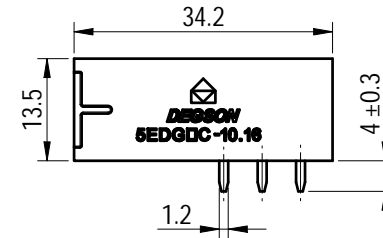
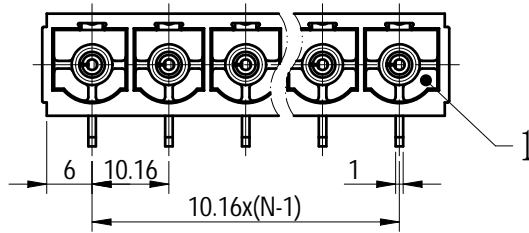
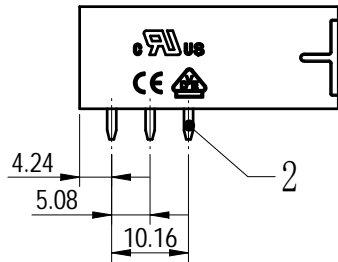
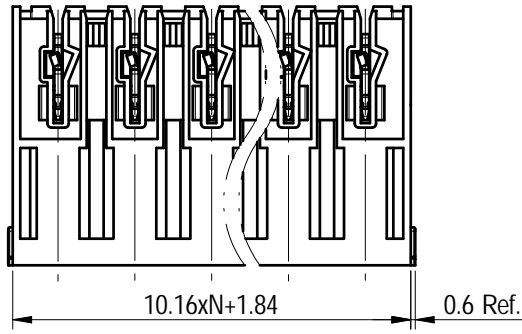
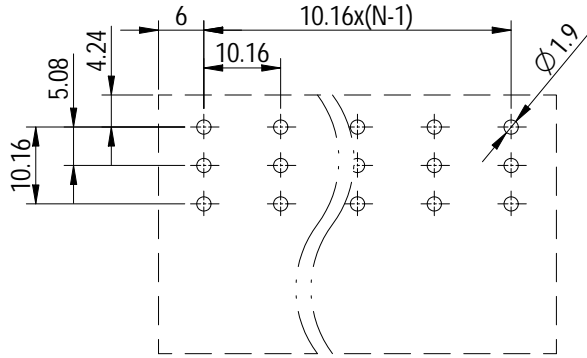


PCB LAYOUT



Note:
The A&Z(H) in the name means: A(H) and Z(H).

2	Pin header	Copper	Ag Plated
1	Housing	PA66	UL94V-0
ITEM	NAME OF PART	MATERIAL	NOTES

UL 标准/UL Standard:	B	C	D
额定电压/电流/Rated Voltage(V)/Current(A)	300/52	300/52	600/5
IEC 标准/IEC Standard:			
过压类别/Overvoltage Category/污染等级/Pollution Degree	III/3	III/2	II/2
额定电压/电流/Rated Voltage(V)/Current(A)	600/57	/	/
额定脉冲电压(KV)/Rate Impulse Voltage(KV)	6	/	/
间距/Pitch(mm)/线数范围/Poles	10.16/N=02~08P		
使用温度范围/Operating temperature(°C)	-40~+105		
符合RoHS环保要求/Conform to RoHS	Yes		

DEGSON

APPD: 兰春华 2022.12.13
CHKD: 龚耀志 2022.12.13
DRFT: 朱岳鹏 2022.12.13

MATERIAL:	SURFACE/COLOR:		
MAT NO./REV: - / 00	MAT STATUS: 批量		
NAME	5EDGRC-10.16-XXP-1Y-00A&Z(H)		
DRAWING NO. 200020030	TYPE CUSTOMER DRAWING	DRAWING STATUS 已发布	SCALE 1:1 SHEET 1/1

00			朱岳鹏	2022.12.13
REV	ECN	DESCRIPTION	DRFT	DATE

Transfer or duplication of this document as well as the utilization or communication of its contents are prohibited unless authorized in writing by Degson. All rights reserved for patent. 除专利声明外，其他内容均受法律保护。未经许可，不得复制或传播。 0.1/10