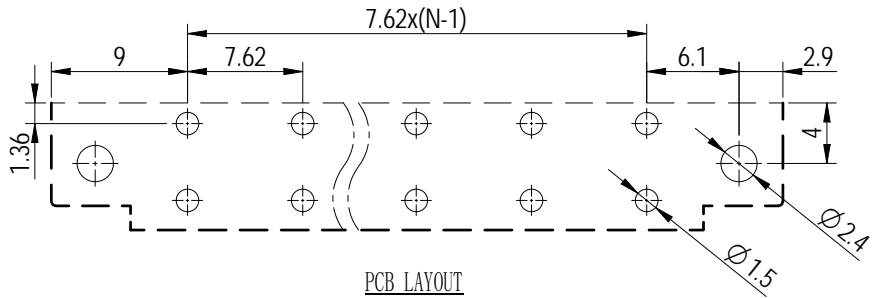
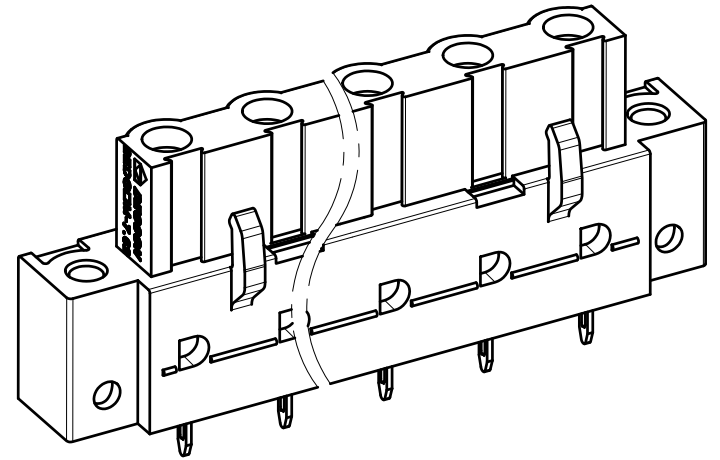
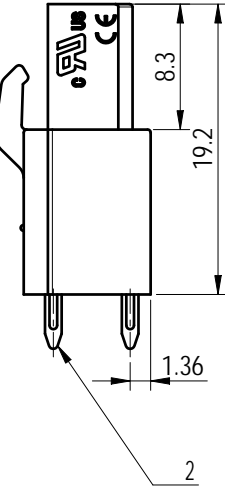
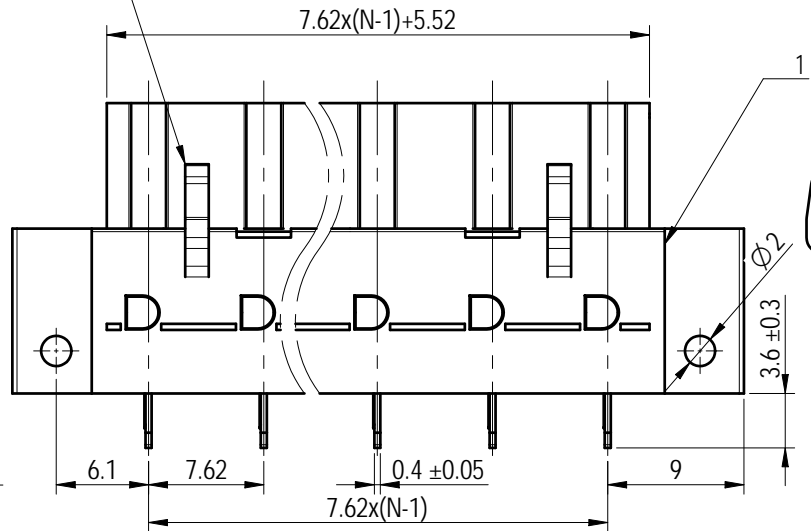
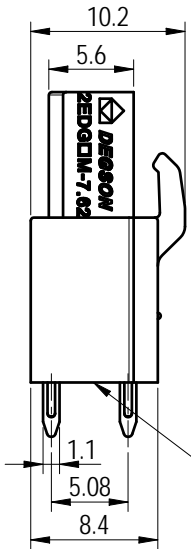


02P: Clasp on the left from this view



PCB LAYOUT

未注公差/General tolerances (mm)											0.1/10		
0	>3	>6	>10	>18	>30	>50	>80	>120	>180	>250		>315	>400
~3	~6	~10	~18	~30	~50	~80	~120	~180	~250	~315	~400	~500	>500
±0.12	±0.18	±0.22	±0.26	±0.31	±0.37	±0.57	±0.80	±0.93	±1.05	±1.15	±1.60	±2.20	±2.50

UL 标准/UL Standard:	B	C	D
额定电压/电流/Rated Voltage(V)/Current(A)	300/15	/	300/10
IEC 标准/IEC Standard:			
过压类别/Overvoltage Category/污染等级/Pollution Degree	III/3	III/2	II/2
额定电压/电流/Rated Voltage(V)/Current(A)	/	400/20	/
额定脉冲电压(KV)/Rate Impulse Voltage(KV)	/	4	/
间距/Pitch(mm)/线数范围/Poles	7.62/N=02~16P		
使用温度范围/Operating temperature(°C)	-40~+105		
符合RoHS环保要求/Conform to RoHS	Yes		

Note:
The A&Z (H) in the name means: A (H) and Z (H).

ITEM	NAME OF PART	MATERIAL	NOTES
4	Nut	Copper Alloy	M2.5
3	Cover	PA66	UL94V-0
2	Clasp	Copper Alloy	Sn Plated
1	Housing	PA66	UL94V-0

		MATERIAL:	SURFACE/COLOR:	
APPD: 兰春华	2023.03.03	MAT NO./REV: - / 00	MAT STATUS: 批量	
CHKD: 龚耀志	2023.02.28	NAME		
DRFT: 代永康	2023.02.28	2EDGBM-7.62-XXP-1Y-00A&Z (H)		
REV	ECN	DRAWING NO.	TYPE	DRAWING STATUS
00		200020980	CUSTOMER DRAWING	已发布
REV	ECN	DRFT	SCALE	SHEET
		A4	2:1	1/1

REV	ECN	DESCRIPTION	DRFT	DATE
00			代永康	2023.02.28

Transfer or duplication of this document as well as the utilization or communication of its content are prohibited unless authorized in writing by DEGSON. All rights reserved for patent. 除专利声明外，其他内容均受法律保护。未经授权，不得复制或传播。 未经授权，不得复制或传播。 未经授权，不得复制或传播。