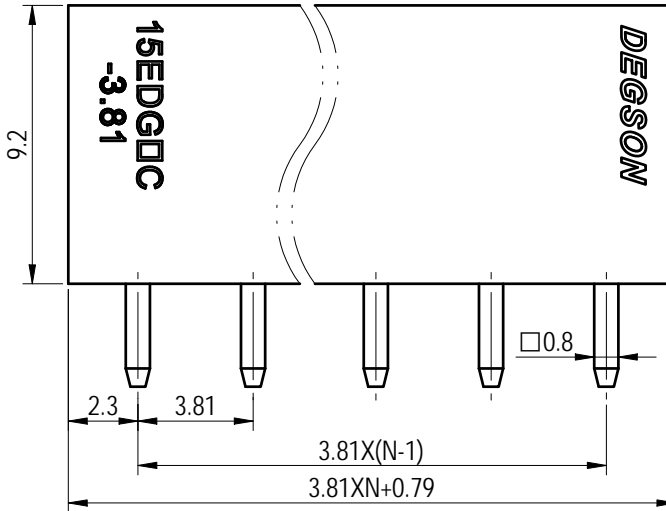
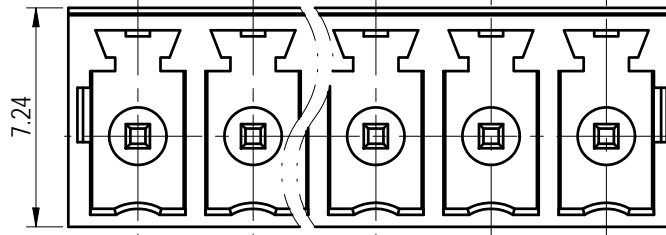
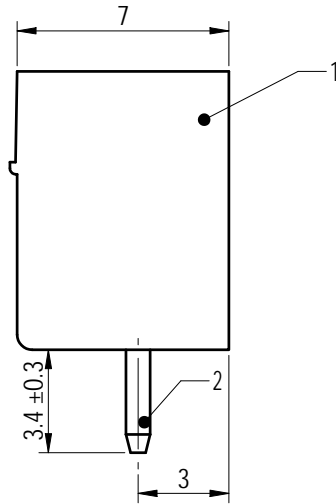
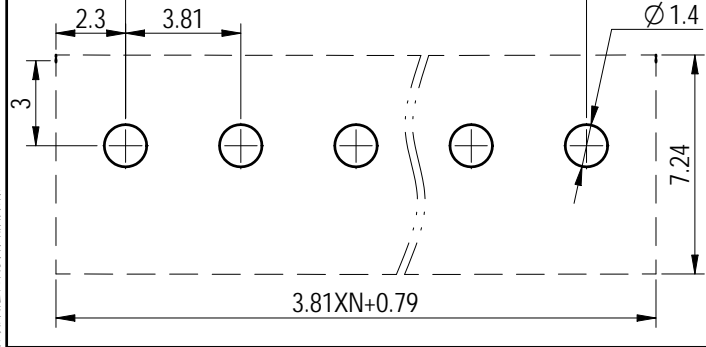
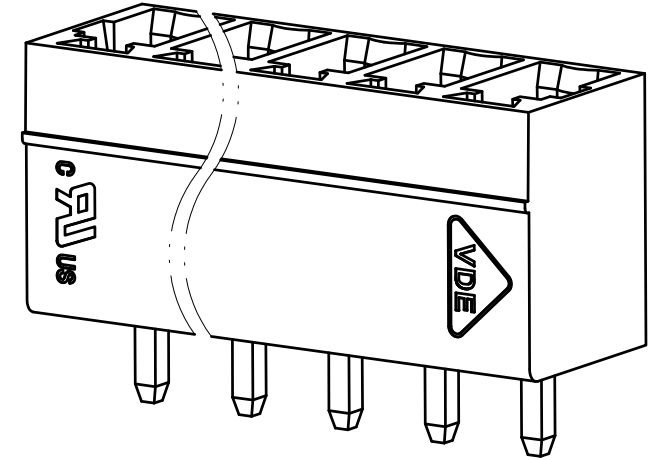


PCB LAYOUT  
3.81x(N-1)



未注公差/General tolerances (mm)

0	>3	>6	>10	>18	>30	>50	>80	>120	>180	>250	>315	>400	>500	0.1/10 ±2'
~3	~6	~10	~18	~30	~50	~80	~120	~180	~250	~315	~400	~500		
±0.12	±0.18	±0.22	±0.26	±0.31	±0.37	±0.57	±0.80	±0.93	±1.05	±1.15	±1.60	±2.20	±2.50	



Note:

The A&Z(H) in the name means: A(H) and Z(H).

2	Pin	Copper alloy	Sn Plated
1	Housing	PA66	UL94V-0
ITEM	NAME OF PART	MATERIAL	NOTES

UL 标准/UL Standard:	B	C	D
额定电压/电流/Rated Voltage(V)/Current(A)	300/8	/	300/8
IEC 标准/IEC Standard:			
过压类别/Overvoltage Category/污染等级/Pollution Degree	III/3	III/2	II/2
额定电压/电流/Rated Voltage(V)/Current(A)	/	/	250/7
额定脉冲电压(KV)/Rate Impulse Voltage(KV)	/	/	2.5
间距/Pitch(mm)/线数范围/Poles	3.81/N=02~24P		
使用温度范围/Operating temperature(°C)	-40~+105		
符合RoHS环保要求/Conform to RoHS	Yes		
标准颜色编号/Standard color number: PANTONE / RAL	/		



MATERIAL:	SURFACE/COLOR:
MAT NO./REV: - / 00	MAT STATUS: 批量

APPD: 兰春华	2022.10.11
CHKD: 龚耀志	2022.10.11
DRFT: 方哲盛	2022.10.11

NAME				
15EDGVC-3.81-XXP-1Y-00A&Z(H)				

00			方哲盛	2022.10.11
REV	ECN	DESCRIPTION	DRFT	DATE

DRAWING NO.	TYPE	DRAWING STATUS	SCALE	SHEET
200099361	CUSTOMER DRAWING	已发布	2:1	1/1

Transfer or duplication of this document as well as the utilization or communication of its content are prohibited unless authorized in writing by DEGSON. All rights reserved for patent, utility model or design registrations. 除专利权明确标注外, 复制、引用、交流本文件的内容, 未经 DEGSON 许可, 均属侵权行为。 未经授权, 不得复制或传播本文件内容。 除专利权明确标注外, 复制、引用、交流本文件的内容, 未经 DEGSON 许可, 均属侵权行为。 除专利权明确标注外, 复制、引用、交流本文件的内容, 未经 DEGSON 许可, 均属侵权行为。