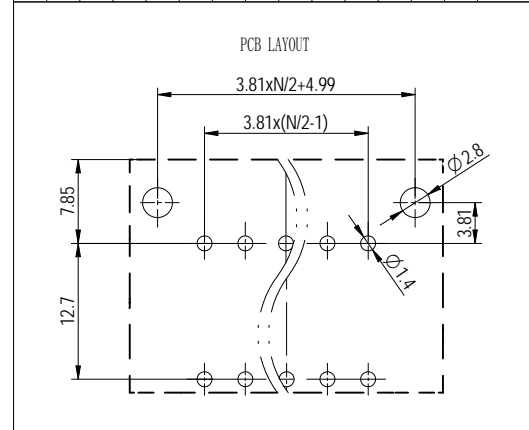


未注公差/General tolerances (mm)											0.1/10			
0	>3	>6	>10	>18	>30	>50	>80	>120	>180	>250	>315	>400	>500	0.1/10 ±2'
±0.12	±0.18	±0.22	±0.26	±0.31	±0.37	±0.57	±0.80	±0.93	±1.05	±1.15	±1.60	±2.20	±2.50	



Note:
The A&Z (H) in the name means: A (H) and Z (H).

ITEM	NAME OF PART	MATERIAL	NOTES
5	Nut	Copper alloy	M2.5
4	Cover	PA66	UL94V-0
3	Long Pin	Copper alloy	Sn Plated
2	Short Pin	Copper alloy	Sn Plated
1	Housing	PA66	UL94V-0

UL 标准/UL Standard:	B	C	D
额定电压/电流/Rated Voltage(V)/Current(A)	300/8	/	/
IEC 标准/IEC Standard:			
过压类别/Overvoltage Category/污染等级/Pollution Degree	III/3	III/2	II/2
额定电压/电流/Rated Voltage(V)/Current(A)	/	/	250/7
额定脉冲电压(KV)/Rate Impulse Voltage(KV)	/	/	2.5
间距/Pitch(mm)/线数范围/Poles	3.81/N=04-48P		
剥线长度/Stripping length(mm)	7-8		
使用温度范围/Operating temperature(°C)	-40~+105		
符合RoHS环保要求/Conform to RoHS	Yes		

DIGSON MATERIAL:		SURFACE/COLOR:	
MAT NO./REV:	10030004018-1 / 00	MAT STATUS:	批量

APPD: 兰春华	2022.09.05	NAME	15EDGRHM-3.81-48P-14-00A&Z(H)		
CHKD: 姜耀志	2022.09.05	DRAWING NO.	200029721	TYPE	CUSTOMER DRAWING
DRFT: 周锦锋	2022.09.05	DRAWING STATUS	已发布	SCALE	2:1
REV	ECN	DESCRIPTION	DRFT	DATE	SHEET
00				2022.09.05	1/1

00			周锦锋	2022.09.05	
REV	ECN	DESCRIPTION	DRFT	DATE	SHEET
					1/1

Transfer or duplication of this document as well as the utilization of its contents without the written permission of Digson is prohibited. All rights reserved for patent. 未经许可复制或传播本文件及其内容，或在本文件内容的基础上进行任何形式的使用，均属于侵权行为。Digson 保留所有权利。如有侵权，请联系 Digson 处理。