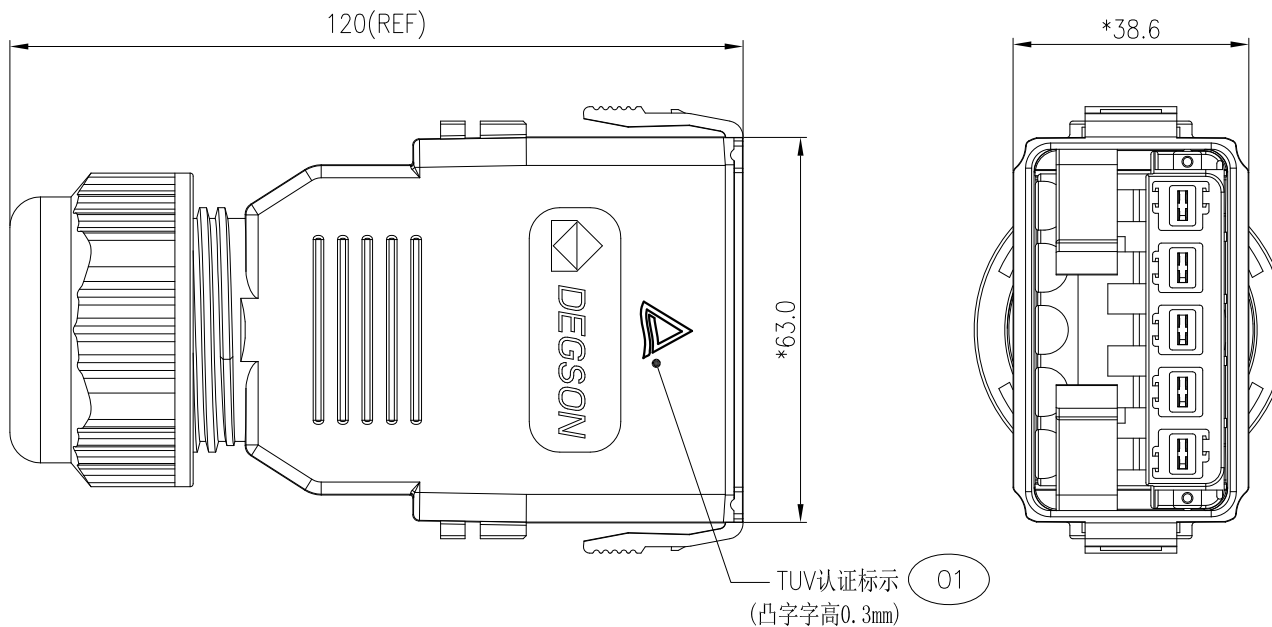


Transfer or duplication of this document as well as the utilization or communication of its contents are prohibited unless explicit authorization is granted. Violations will be liable for compensation. All rights reserved for patent, utility, model or designs registrations. 除非给予明确授权，否则禁止转让、复制、利用、交寄本文件的内容。侵犯者将承担法律责任。未经许可擅自利用本文件的所有权利。

尺寸公差(mm)					电子线长度尺寸公差(mm)					0.05/10 ±T
0~30	>30~60	>60~100	>100~150	>150	0~50	50~150	150~300	300~1000	>1000	
±0.20	±0.30	±0.50	±0.70	±1.00	±5	±10	±15	±25	±35	
额定电压/电流/Rated Voltage(V)/Current(A)					600V/65A					
绝缘电阻/Insulation Resistance					100MΩ					
耐电压/Withstanding Voltage					2200V					
额定冲击电压/Rated impulse voltage					6KV					
接触阻抗/Contact Resistance					≤4.5mΩ					
接线范围/Clamping range					0.2mm <sup>2</sup> -16mm <sup>2</sup>					
剥线长度/Strip length					11-12mm					
防水等级/Levels of protection					IP66					
使用温度范围/Operating temperature(°C)					-40~+105°C					
符合RoHS环保要求/Conform to RoHS					Yes					



MATERIAL: /		SURFACE: /	
MAT.NO.: 20140000055		宁波高松电子有限公司 NINGBO DEGSON ELECTRICAL CO., LTD	
STATUS: /			
APPD:		Description: DG043-PV-PB-05P-FF	
CHKD:			
DRFT: YU JH 2022.01.06		DRAWING NO.: /	
REV	ECN	DESCRIPTION	DRFT
			DATE

⊕	SIZE: A4	mm (inch)	TYPE: PRODUCT DRAWING	SCALE: 1:1	SHEET	REV	01
							1/1