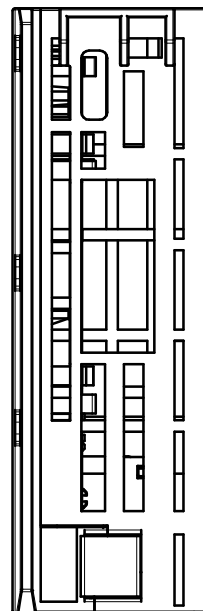
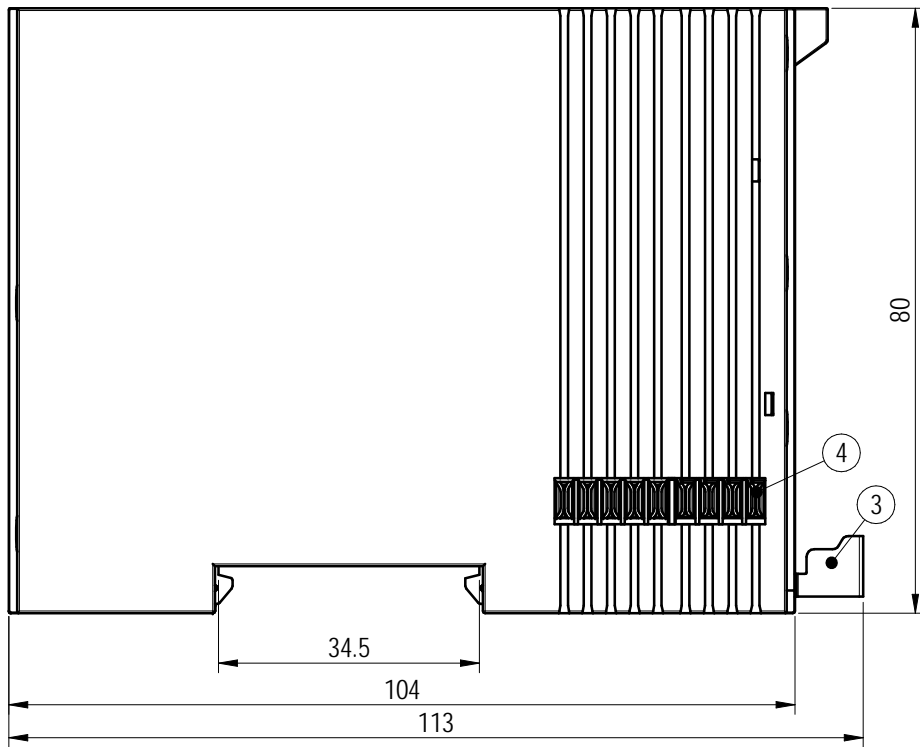


Assembly diagram



公差/General tolerances (mm)													0.1/10	
0 ~ 3	>3 ~ 6	>6 ~ 10	>10 ~ 18	>18 ~ 30	>30 ~ 50	>50 ~ 80	>80 ~ 120	>120 ~ 180	>180 ~ 250	>250 ~ 315	>315 ~ 400	>400 ~ 500		>500
±0.12	±0.18	±0.22	±0.26	±0.31	±0.37	±0.57	±0.80	±0.93	±1.05	±1.15	±1.60	±2.20	±2.50	±2'

UL 标准/UL Standard	B	C	D
额定电压/电流/Rated Voltage(V)/Current(A)	/	/	/
IEC 标准/IEC Standard			
过压类别/Overtoltage Category/污染等级/Pollution Degree	III/3	III/2	II/2
额定电压/电流/Rated Voltage(V)/Current(A)	/	/	/
额定脉冲电压(KV)/Rate Impulse Voltage(KV)	/	/	/
螺丝扭矩/Torque Tightening(N·m/Lb.in)	/		
线径范围(硬线和软线)/Wire Range(rigid and flexible)(AWG/mm²)	/		
线数范围/Poles	N= 01P		
剥线长度/Stripping length(mm)	/		
使用温度范围/Operating temperature(°C)	-40~ + 105		
符合RoHS环保要求/Conform to RoHS	Yes		

DF760(400)-G-1-01-00Z(H)	
电源夹片额定电压电流/Rated Voltage/Current	24V/10A
信号夹片额定电压电流/Rated Voltage/Current	5V/5A
使用温度范围/Operating temperature(°C)	-40~+155
符合RoHS环保要求/Conform to RoHS	Yes
回流焊承受温度/Reflow temperature(°C)	265

ITEM	NAME OF PART	MATERIAL	NOTES
4	DF760(400)-G-1-01-00Z(H)	/	/
3	Card rail foot	PA66	UL94V-0
2	Cover	PC	UL94V-0
1	Housing	PC	UL94V-0

		MATERIAL:		SURFACE/COLOR:	
		MAT NO./REV: 30060000660-1 / 00		MAT STATUS: work	
APPD: 李根芳	2024.03.26	NAME			
CHKD: 马恩开	2024.03.26	DF760-400-1-C1-00Z(H)			
DRFT: 马恩开	2024.03.26				
DRAWING NO.	TYPE	DRAWING STATUS	SCALE	SHEET	
200281092	CUSTOMER DRAWING	work	1:1	1/1	

REV	ECN	DESCRIPTION	DRFT	DATE
00		NEW DRAWING	马恩开	2024.03.26

Transfer or duplication of this document as well as the utilization or communication of its contents are prohibited unless authorized in general. Violations will be treated for copyright. All rights reserved for patent, utility model or design registrations. 除专利、实用新型、外观设计、发明专利、软件著作权、集成电路布图设计专有权、商业秘密、技术秘密等依法享有的知识产权外，其他知识产权均归本公司所有。未经许可，不得复制或传播。