

DPB Series

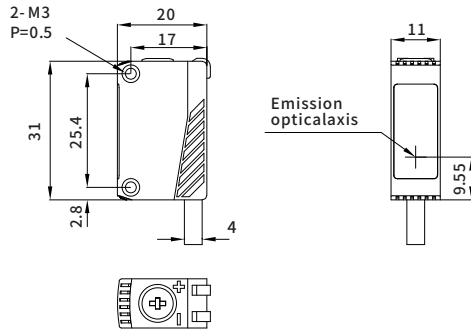


Model	
NPN	DPB-B15N-S
PNP	DPB-B15P-S
Basic Features	
Working principle	PhotoelectricSensors
Enclosure style	Square
How optics work	Diffuse reflectionwith backgroundsuppression
Detection distance	2~150mm
Spot size	Approx. ϕ 3mm/150mm
Detection	/
Light source	Infrared LEDs 660nm (modulated)
Light	Working indicator green; Action indicator Red
Sensitivity regulation	6-turn potentiometer
Electrical Data	
Switch mode	Light.on (Light Action) / D.on (shading action) Switchable
Output mode	NPN or PNP open collector
Response time	\leq 1ms
Switching frequency	/
Repeatability	/
Hysteresis(Return/ Response)	\leq 5%
Operating voltage	10~30V DC
Current consumption	\leq 25mA
Residual voltage	\leq 1.5V
Load current	\leq 100mA
Insulation resistance	20M Ω
Resistance	1000VAC (50/60Hz), 1 minute between power terminal and housing
Protection circuits	Reverse polarity protection/surge protection/ shortcircuit protection
Environmental Conditions	
Operating ambient temperature	-25 $^{\circ}$ C~+55 $^{\circ}$ C
Storage temperature	-30 $^{\circ}$ C~+70 $^{\circ}$ C
Humidity of the working environment	35~85%RH (no condensation)
Store humidity	35~95%RH (no condensation)
Ambient illumination	Incandescent lamp \leq 3000 Lux; Sunlight \leq 10000 Lux
Anti vibration-	10~50Hz, 0.5mm amplitude, XYZ 3 directions for 2 hours each
Ingress protection	IP67
Mechanical Data	
Maximum tightening torque	\leq 0.5Nm
Connection	2m/4 core cable 4mm diameter
Size	31*20*11mm
Material	PBT+glass fiber (shell); PMMA (Lens)
Weight	0.05kg
Fittings	Screwdriver

DPB Series

Dimensions

DPB-B15N/P-S



Unit: mm

Wiring Diagram

DPB-B15N/P-S

