

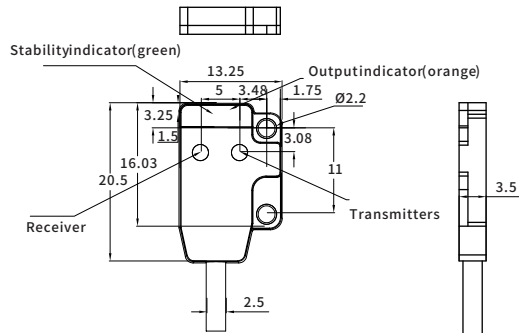
**DPT Series**


Model	
NPN L.on	DPT-25NO
NPN D.on	DPT-25NC
PNP L.on	DPT-25PO
PNP D.on	DPT-25PC
Basic Features	
Working principle	Photoelectric Sensors
Enclosure style	Flat square
How optics work	Reflection
Detection distance	White paper: 1~25mm
Spot size	N/A (Infrared)
Detection	φ1.5mm opaque object (at 10mm), φ20mm opaque object (at 25mm)
Light source	Infrared LED 950nm modulation
Light	Output indicator orange; Power indicator Green
Sensitivity regulation	None
Electrical Data	
Switch mode	Light. on (light action) / Dark. on (light blocking action) Optional
Output mode	NPN or PNP open collector
Response time	≤ 2ms
Switching frequency	250Hz
Repeatability	<5%
Hysteresis( Return/ Response)	<15% Sr
Operating voltage	10~30V DC ±10%
Current consumption	≤20mA
Residual voltage	≤2.0V (50mA)
Load current	≤50mA (30VDC)
Insulation resistance	Between power terminal and housing ≥50MΩ (500VDC)
Resistance	1000VAC (50/60Hz), 1 minute between power terminal and housing
Protection circuits	Reverse polarity protection/surge protection/short circuit protection
Environmental Conditions	
Operating ambient temperature	-25~55°C (no freezing)
Storage temperature	-30°C~+60°C
Humidity of the working environment	35~85%RH (no condensation)
Store humidity	35~95%RH (no condensation)
Ambient illumination	Incandescent lamp ≤ 3000 Lux; LED light ≤ 1000/3000/200Lux; Sunlight ≤ 10000 Lux
Anti- vibration	10~50Hz, 0.5mm amplitude, XYZ 3 directions for 2 hours each
Ingress protection	IP67
Mechanical Data	
Maximum tightening torque	/
Connection	2m/3 core cable
Size	13.25x20.5x3.5mm
Material	PC
Weight	0.022kg
Fittings	Mounting screws

**DPT Series**

## Dimensions

## DPT-25



Unit: mm

## Wiring Diagram

